



# KOMODO

OFF-ROAD ADVENTURE VEHICLE



1/10th SCALE ELECTRIC 4LINK & 4WD VEHICLE

**GS01** CHASSIS  
4 LINK SUSPENSION



**GMADE**<sup>®</sup>  
www.gmade.net



## CAUTIONS

- ⚠** In order to avoid personal injury or property damage, you have to act in a responsible manner and follow these directions.  
RC models can operate at over 40Km/h but can not stop immediately

### ■ Safety Precautions

- Check the surrounding area before you operate RC model.
- Choose a good place to operate your RC model
- Do not operate your RC model on the street or highway. It can cause a serious damage or a serious accident.
- Do not operate your RC model in confined or crowded areas, in order to avoid accident.
- Never operate your RC model near people or animals, and never use people or animals as an obstacle.
- A collision between your RC model and stationary objects can cause damage to either
- Do not operate your RC model in public places like hospital and residential areas. It can cause great noise
- Never operate your RC model indoor. There is a higher possibility of fire or damage

### ■ Safety Precautions (Before assembling)

- Before you start assembling this model, read the instructions carefully and make sure you understand them thoroughly.
- If a child assembles this model, an adult must also read the instructions carefully and understand them thoroughly.
- Always be careful when using tools like knives. Extra care should be taken to prevent injuries.
- If you use paint or cement (not included in the RC model), read the instructions supplied with them.
- Keep the parts out of reach of children, small parts can cause choking and vinyl bags can suffocate.

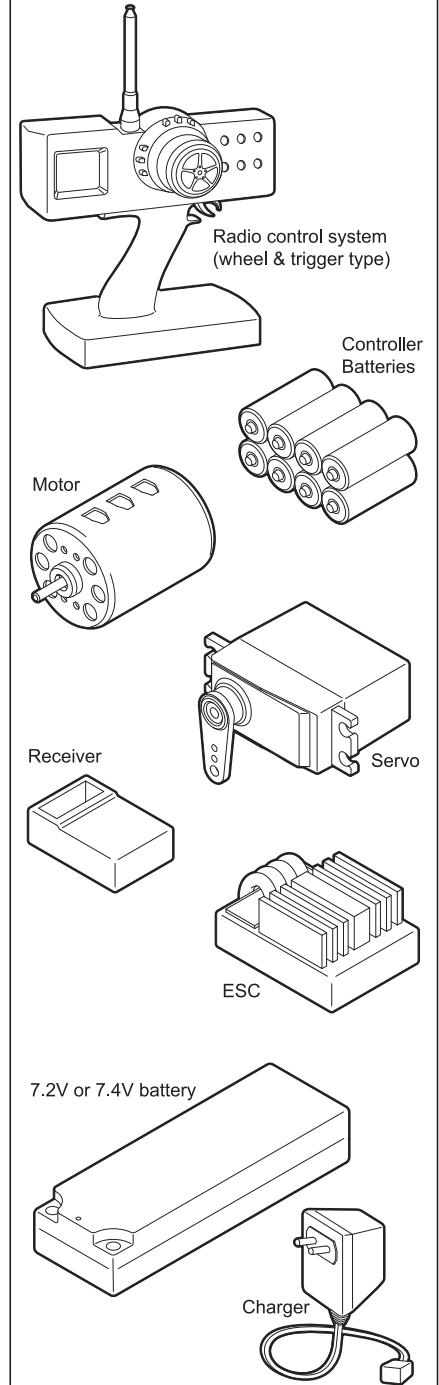
### ■ Safety Precautions (Before you operate RC model, check the following.)

- Check to ensure nuts bolts are tightened appropriately.
- Check that no one else is using your radio frequency.
- Use new batteries to avoid losing control of the transmitter and receiver.
- You will need a 2 channel radio system which includes a servo, a receiver, an ON/OFF switch, and an electronic speed control.
- Be sure to use a radio frequency for ground model – Do not use airplane frequencies.
- Always check the brakes and throttle before you operate your RC model, in order to avoid losing control of the model.
- To prevent unexpected movements of your RC model, do not connect the batteries to receiver before turning on the transmitter.
- Always turn on the transmitter first, and then connect the batteries to the receiver.
  1. Switch on the transmitter.
  2. Check that the speed control, the transmitter control, and trims are set to the neutral position.
  3. Connect the RC model to the receiver's batteries.
  4. Switch on the model and the receiver.
- When you using rechargeable batteries, make sure you read and follow the instructions carefully.
- Inappropriate handling or usage of rechargeable batteries can cause serious injuries or accidents.

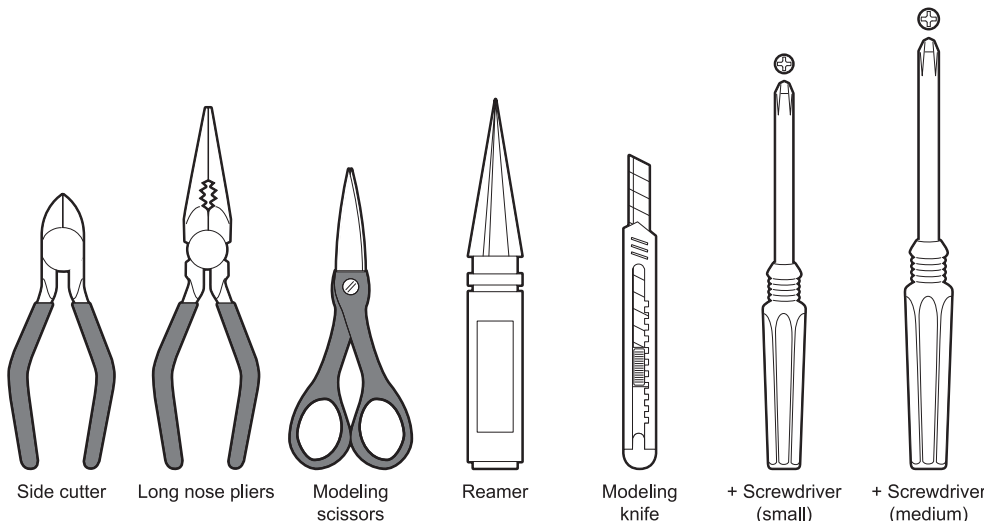
### ■ Cautions While Operating

- When the RC model is operating, do not touch the moving parts like the drive shaft and wheels.
- The moving parts can cause serious injuries.
- Always turn the model or receiver off and disconnect the batteries before turning off the transmitter, in order to avoid unexpected movements of your RC model.
  1. Turn off the model or receiver.
  2. Disconnect the batteries.
  3. Turn off the transmitter.
- Do not touch the vehicle's speed control resistor while operating of the RC model. The resistor may be very hot, especially after running at lower speeds.
- To prevent damage to the RC model, remove the batteries from the model and transmitter when you don't intend to run the RC model for some time.
- After operating your RC model, batteries become hot, so please be careful when handling.
- In order to prolong the life of your RC model, please keep it free from dirt and grease.
- Before you start assembling this model, read the instruction carefully and make sure you understand them fully.
- If a child assembles this model, an adult must also read the instructions carefully and understand them thoroughly.

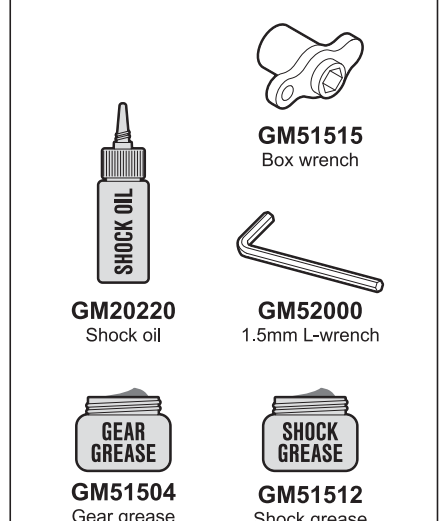
## EQUIPMENT NEEDED



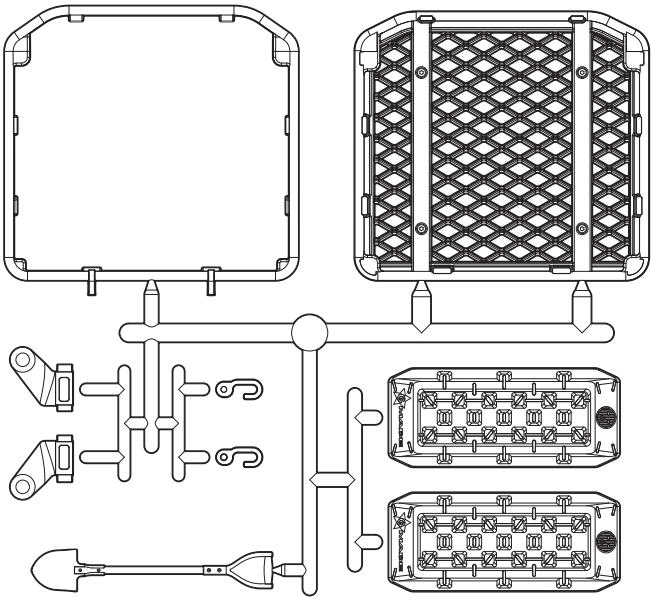
## TOOLS NEEDED



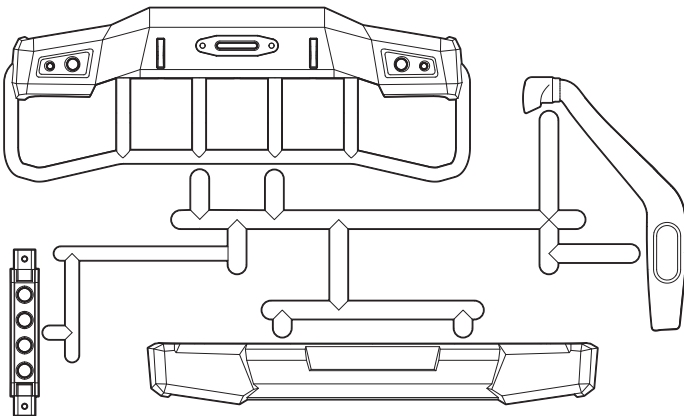
## TOOLS INCLUDED



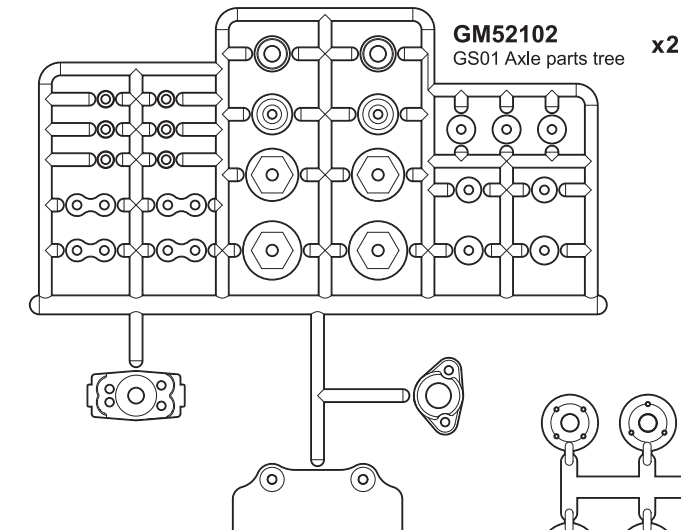
# PARTS REFERENCE



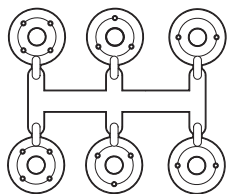
**GM40080**  
Scale accessory roof rack **x1**



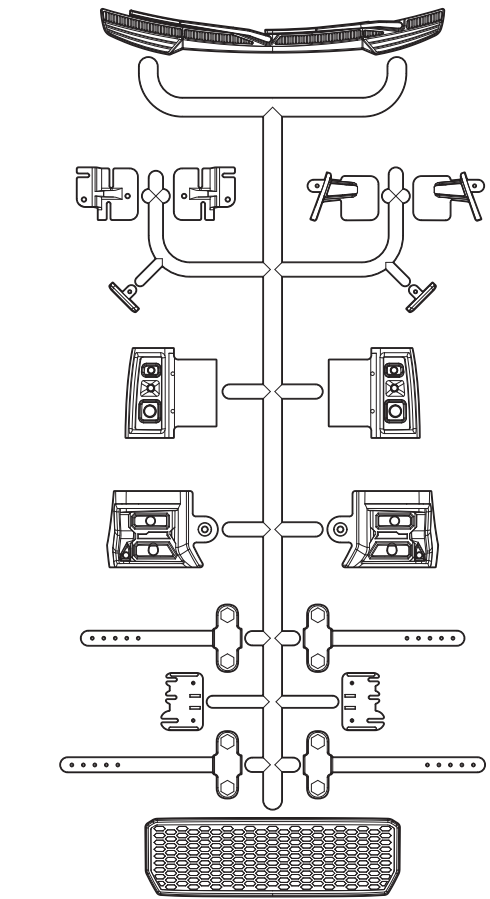
**GM49064**  
KOMODO Bumper parts tree **x1**



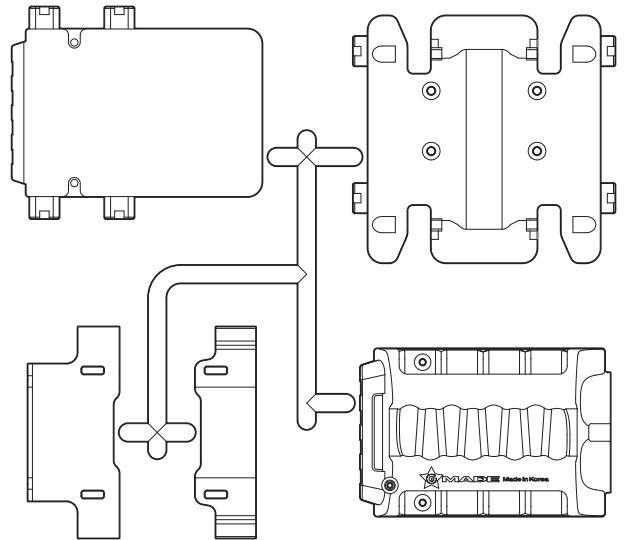
**GM52102**  
GS01 Axle parts tree **x2**



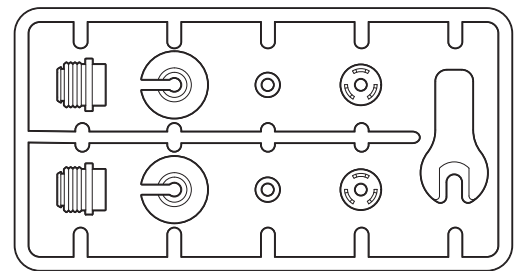
**GM20214**  
Shock piston parts tree **x2**



**GM49063**  
KOMODO exterior detail parts tree **x1**

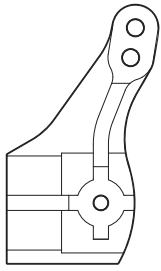


**GM52407**  
GS01 Cross member parts tree **x1**

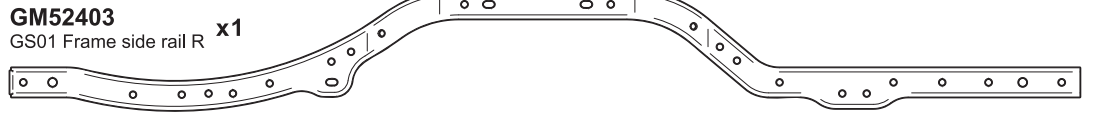


**GM20214**  
Shock cartridge parts tree **x2**

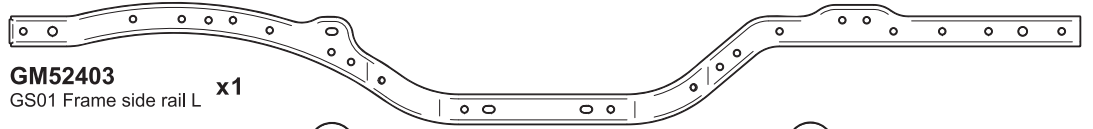
# PARTS REFERENCE



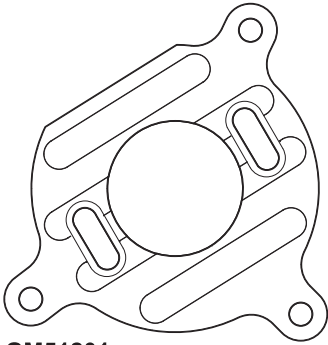
**GM51105**  
Knuckle arm x2



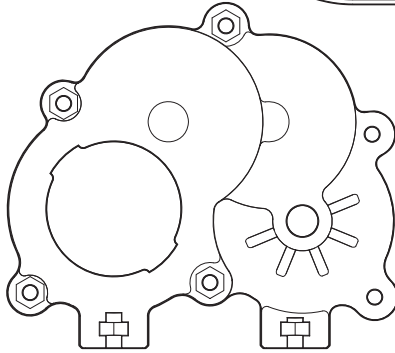
**GM52403**  
GS01 Frame side rail R x1



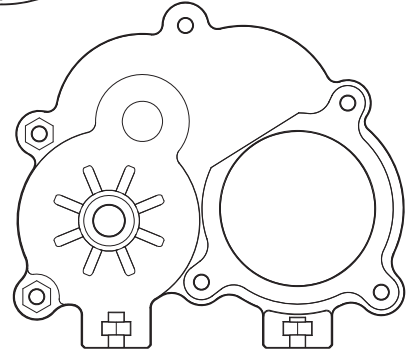
**GM52403**  
GS01 Frame side rail L x1



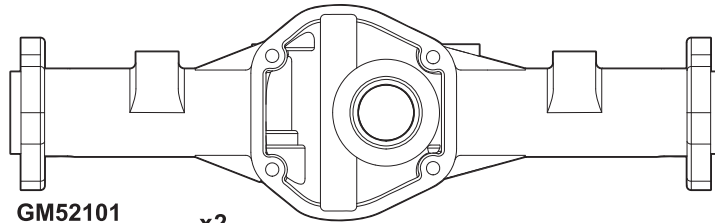
**GM51201**  
Motor plate x1



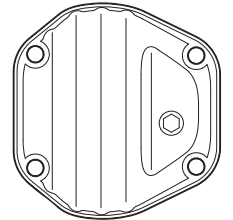
**GM51201**  
Transmission housing set x1



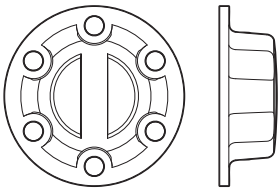
**GM51201**  
Transmission housing set x1



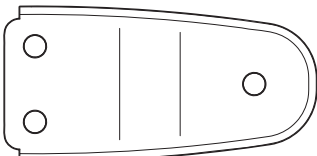
**GM52101**  
GS01 Axle housing x2



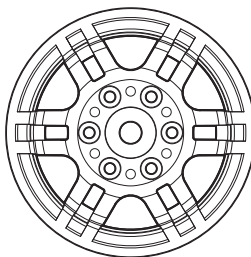
**GM52103**  
GS01 Differential cover x2



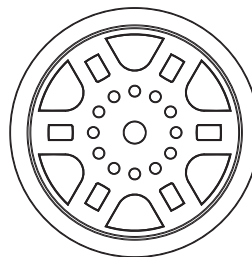
**GM70264**  
NR02 Wheel cap x4



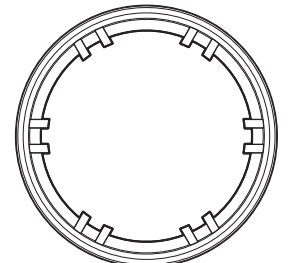
**GM52404**  
Shock stay x4



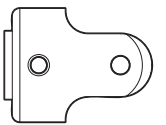
**GM70264**  
NR02 Front half of wheel x4



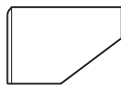
**GM70264**  
NR02 Back half of wheel x4



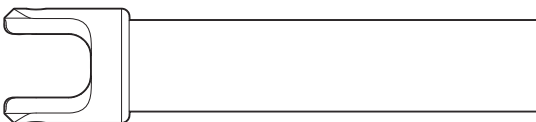
**GM70264**  
NR02 Inner beadlock ring x4



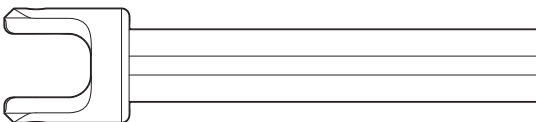
**GM54311**  
Universal drive hub x4



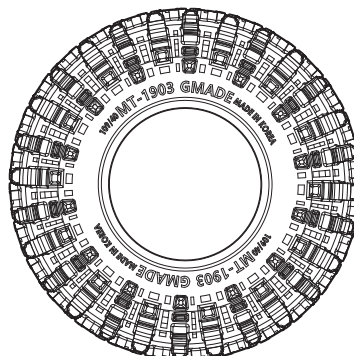
**GM52405**  
Side step bracket x4



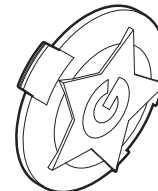
**GM54311**  
Universal shaft A x2



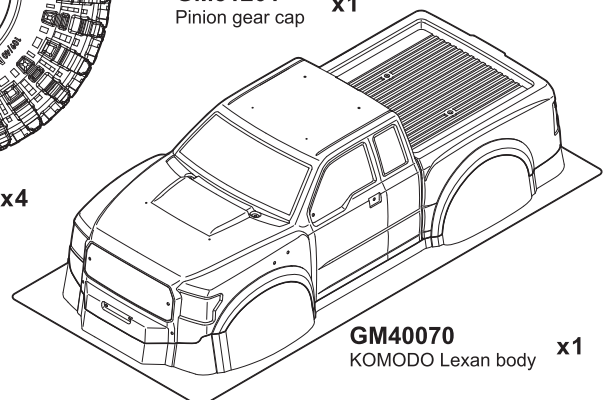
**GM54311**  
Universal shaft B x2



**GM70284**  
MT1903 Tire x4

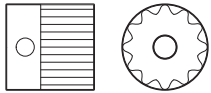


**GM51201**  
Pinion gear cap x1

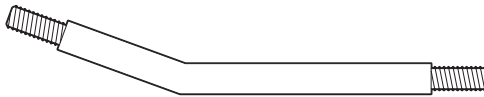


**GM40070**  
KOMODO Lexan body x1

# PARTS REFERENCE



**GM20142**  
32Pitch 12T Pinion gear **x1**



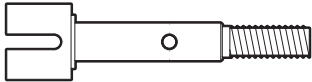
**GM52116**  
64mm Steering rod **x1**



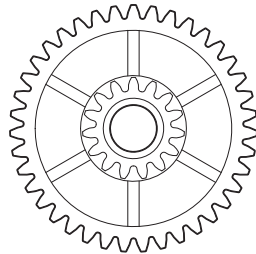
**GM52113**  
14T Bevel gear shaft **x2**



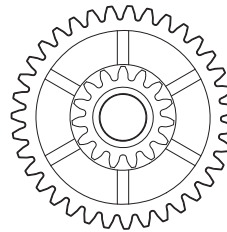
**GM52116**  
116mm Threaded shaft **x1**



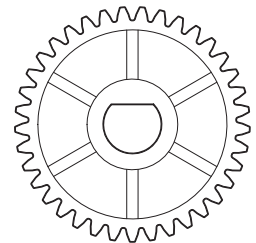
**GM54101**  
GS01 Long wheel axle shaft **x2**



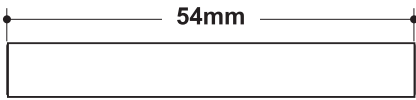
**GM51204**  
39T/15T Counter gear **x1**



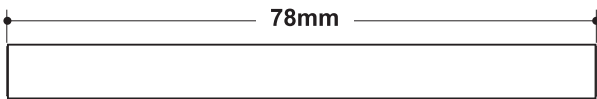
**GM51204**  
35T/15T Counter gear **x1**



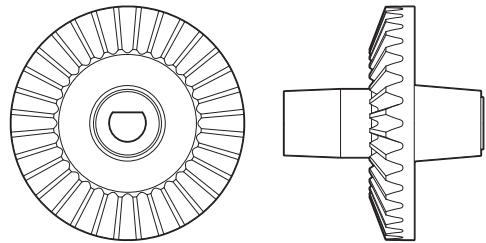
**GM51204**  
37T Counter gear **x1**



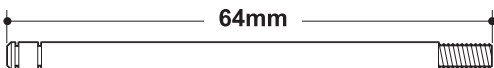
**GM54307**  
Upper link M3X6.8X54mm **x4**



**GM54308**  
Lower link M3X6.8X78mm **x4**



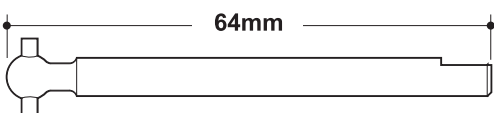
**GM52106**  
32T Bevel gear **x2**



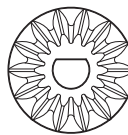
**GM20612**  
G-Transition 90mm shock shaft **x4**



**GM20613**  
G-Transition 90mm shock body **x4**



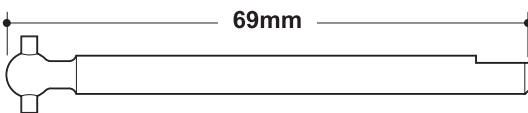
**GM52109**  
64mm Drive shaft **x1**



**GM52106**  
14T Bevel gear **x2**



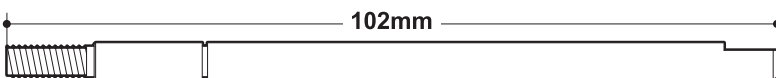
**GM20613**  
30mm Shock spring **x4**



**GM52109**  
69mm Drive shaft **x1**



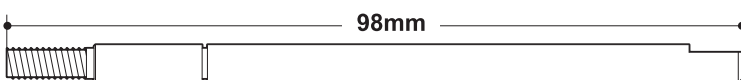
**GM20613**  
13mm Shock spring **x4**



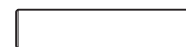
**GM54104**  
102mm Straight drive shaft **x1**



**GM51207**  
21mm Counter gear shaft **x1**



**GM54104**  
98mm Straight drive shaft **x1**










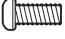



















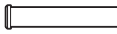





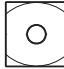










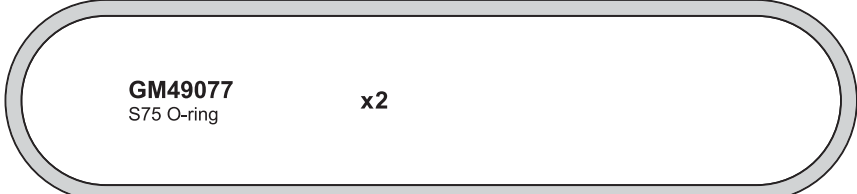
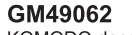

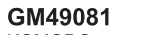





**GM51207**  
23mm Counter gear shaft **x1**






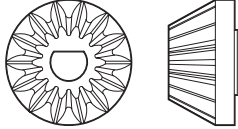
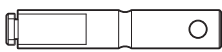

**GM51207**  
43mm Counter gear shaft **x1**

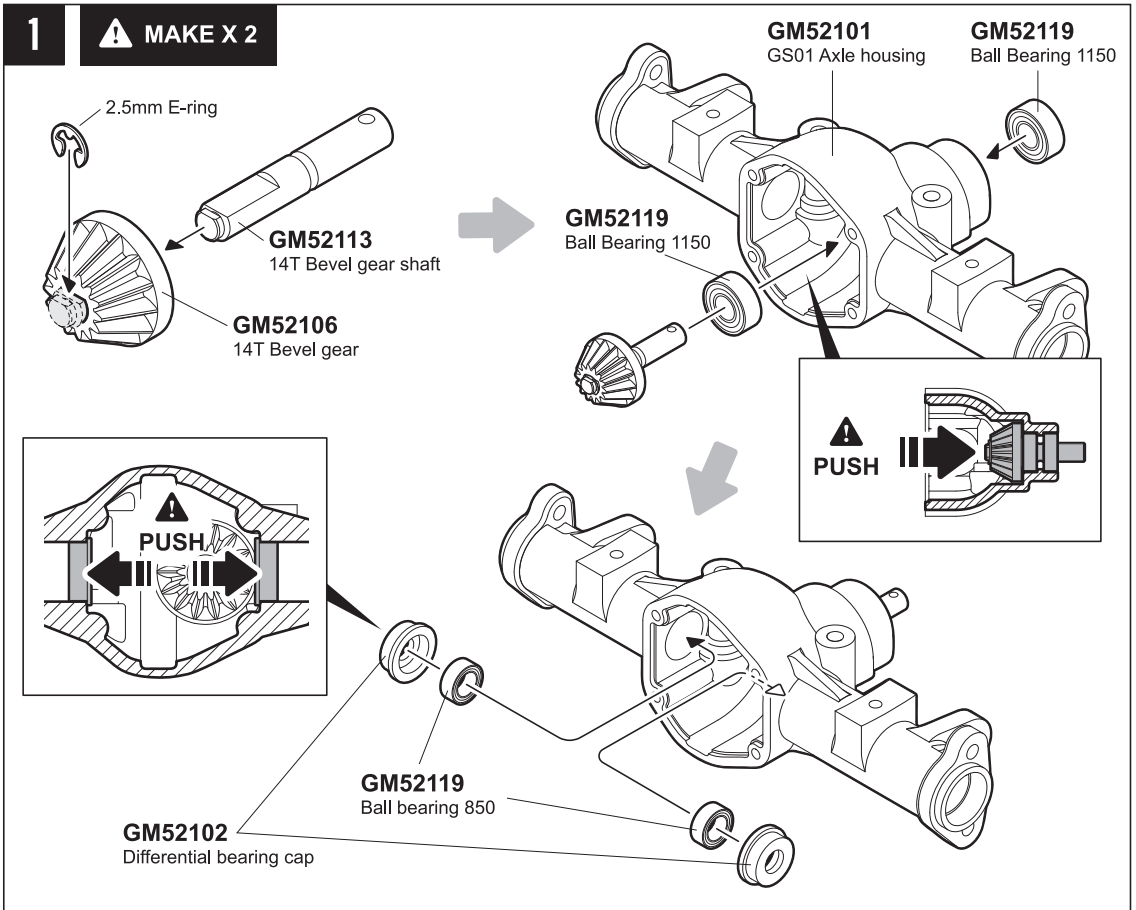
# PARTS REFERENCE

	2X6mm Round head tapping screw	<b>x8</b>		M2.6 Nut	<b>x24</b>		GM20216 M3 6.8mm Rod end	<b>x16</b>
	3X6mm Round head tapping screw	<b>x18</b>		M3 Nut	<b>x11</b>		GM20216 6.8mm Rod end ball	<b>x16</b>
	3X8mm Round head tapping screw	<b>x8</b>		M3 Nylon lock nut	<b>x50</b>		GM52116 M3 6.8mm Rod end	<b>x4</b>
	2.6X6mm Round head tapping screw	<b>x56</b>		M3 Flange nut	<b>x26</b>		GM52116 6.8mm Rod end ball	<b>x4</b>
	2.6X16mm Round head tapping screw	<b>x2</b>		GM51602 M4 Wheel nut	<b>x4</b>		GM20221 Shock bushing	<b>x4</b>
	3X6mm Round head screw	<b>x12</b>		2mm E-ring	<b>x8</b>		GM20221 Shock end ball	<b>x4</b>
	3X8mm Round head screw	<b>x23</b>		2.5mm E-ring	<b>x10</b>		GM20221 M3 6.8mm Rod end	<b>x4</b>
	3X10mm Round head screw	<b>x14</b>		4mm E-ring	<b>x2</b>		GM50116 R6 snap pin	<b>x8</b>
	3X12mm Round head screw	<b>x9</b>		GM52119 Ball bearing 1150	<b>x14</b>		GM49006 R5 snap pin	<b>x4</b>
	3X16mm Round head screw	<b>x2</b>		GM52119 Ball bearing 850	<b>x10</b>		GM54305 Universal cross pin	<b>x4</b>
	3X18mm Round head screw	<b>x4</b>		3mm Washer	<b>x22</b>		GM54305 Universal drive coupler	<b>x4</b>
	3X20mm Round head screw	<b>x16</b>		3X8X2mm Rubber washer	<b>x4</b>		GM54305 Universal joint	<b>x4</b>
	3X25mm Round head screw	<b>x7</b>		P3 O-ring	<b>x8</b>		GM50130 25cm Releasable tie	<b>x2</b>
	3X30mm Round head screw	<b>x6</b>		P4 O-ring (RED)	<b>x4</b>		GM49063 KOMODO masking tape	<b>x1</b>
	3X4mm Socket set screw	<b>x1</b>		P5 O-ring	<b>x8</b>		GM49063 Double-sided tape	<b>x1</b>
	3X15mm Socket set screw	<b>x16</b>		GM49077 S75 O-ring	<b>x2</b>		GM49062 KOMODO decal	<b>x1</b>
	3X10mm Flat head screw	<b>x4</b>					GM49081 KOMODO manual	<b>x1</b>
	3X10mm Step screw	<b>x4</b>						
	GM51306 3X15mm Screw pin	<b>x4</b>						
	GM51603 Axle pin	<b>x4</b>						

# AXLE




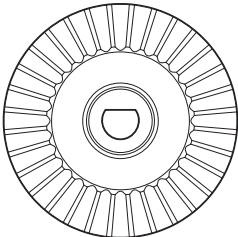
## 1 MAKE X 2

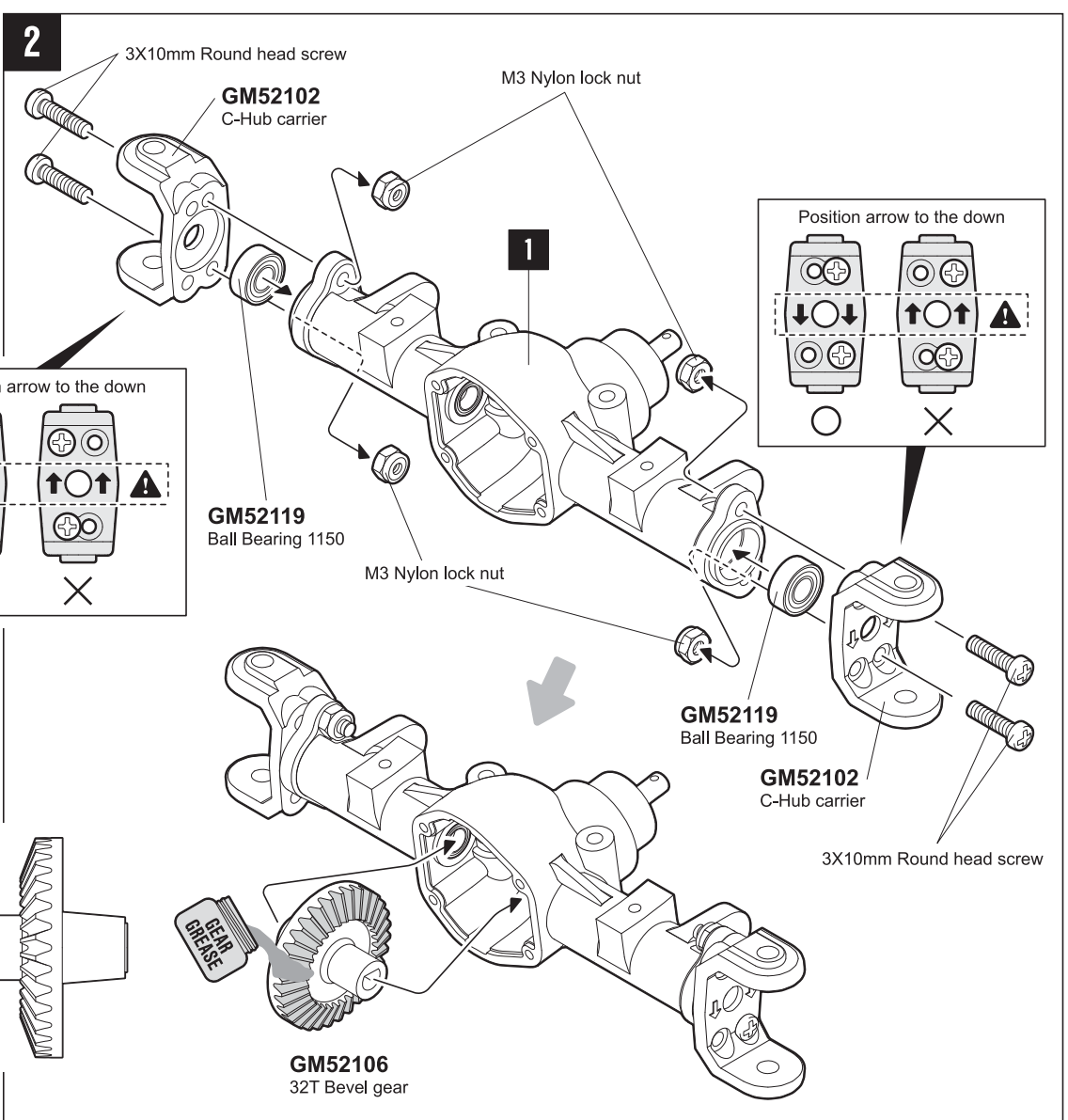
-  2.5mm E-ring x2
-  **GM52119**  
Ball bearing 1150 x4
-  **GM52119**  
Ball bearing 850 x4
-  **GM52106**  
14T Bevel gear x2
-  **GM52113**  
14T Bevel gear shaft x2
-  **GM52102**  
Differential bearing cap x4



# FRONT AXLE

## 2

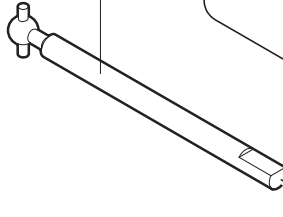
-  3X10mm Round head screw x4
-  M3 Nylon lock nut x4
-  **GM52119**  
Ball bearing 1150 x2
-  **GM52106**  
32T Bevel gear x1



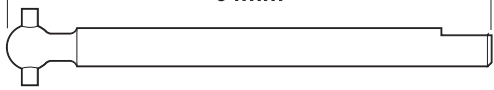
**FRONT AXLE**

**3**

**GM52109**  
64mm Drive shaft



64mm



**GM52109** x1  
64mm Drive shaft

69mm



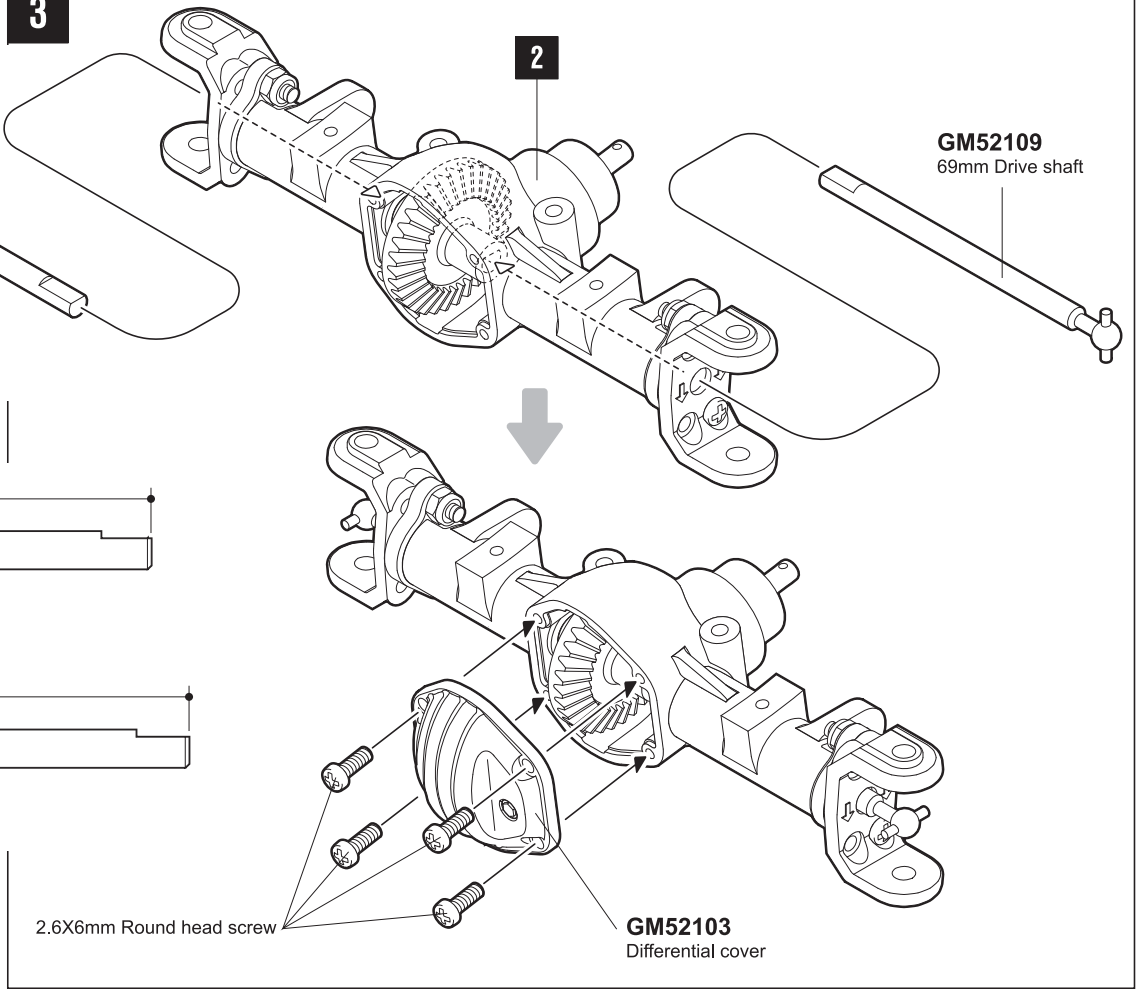
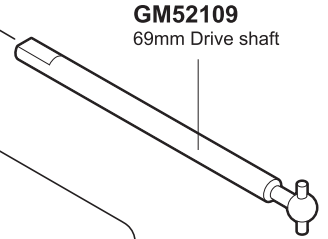
**GM52109** x1  
69mm Drive shaft



2.6X6mm Round head screw x4

**2**

**GM52109**  
69mm Drive shaft

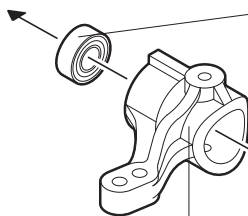


2.6X6mm Round head screw

**GM52103**  
Differential cover

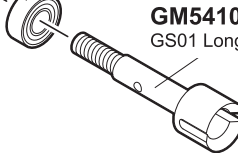
**4**

**GM52119**  
Ball bearing 1150

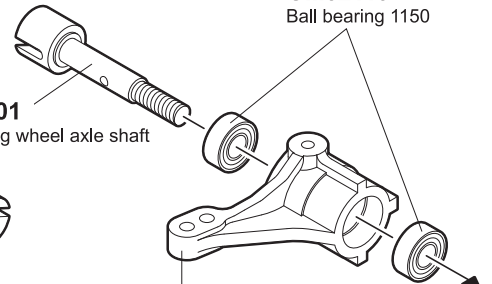


**GM51105**  
Knuckle arm

**GM54101**  
GS01 Long wheel axle shaft

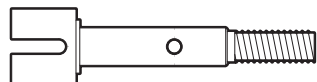
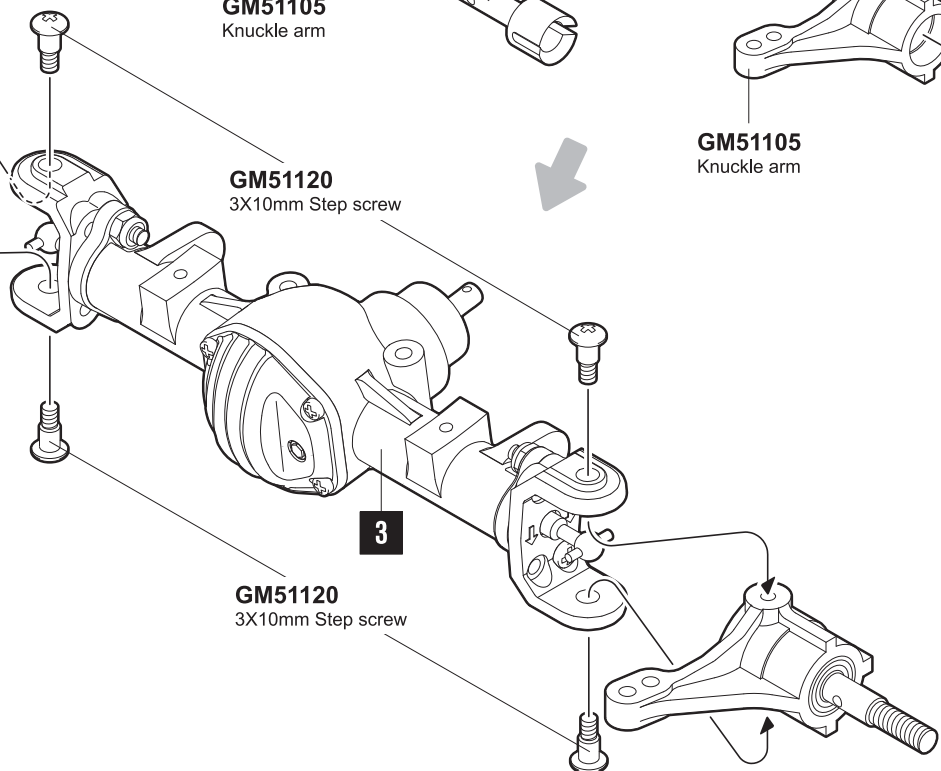
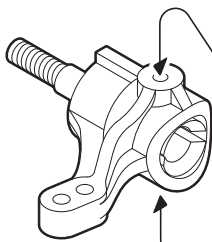


**GM52119**  
Ball bearing 1150



**GM51105**  
Knuckle arm

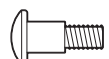
**GM51120**  
3X10mm Step screw



**GM54101** x2  
GS01 Long wheel axle shaft



**GM52119** x4  
Ball bearing 1150

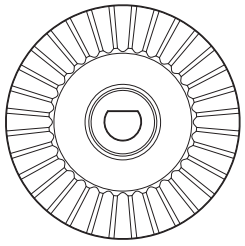


**GM51120** x4  
3X10mm Step screw

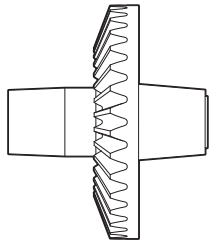


REAR AXLE

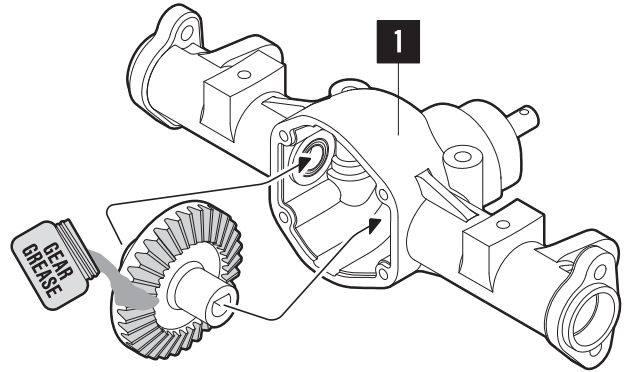
5



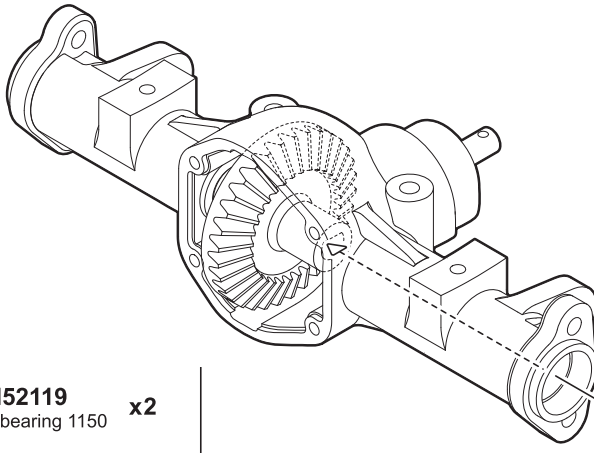
GM52106  
32T Bevel gear



x1



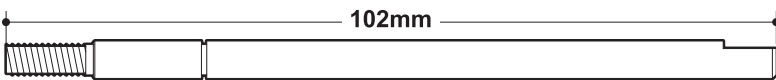
GM52104  
32T Bevel gear



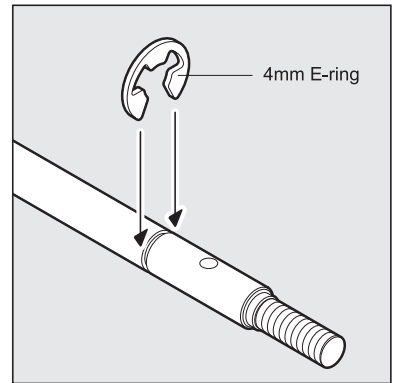
GM52119  
Ball bearing 1150 x2



4mm E-ring x1



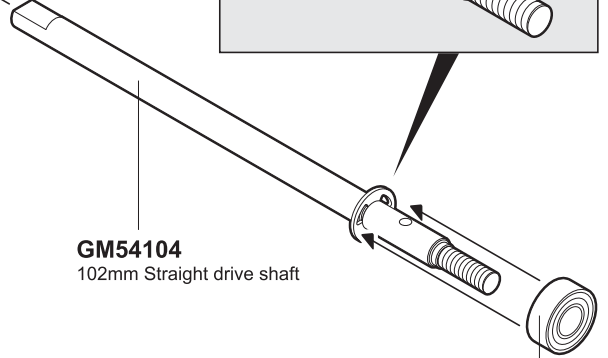
GM54104  
102mm Straight drive shaft x1



4mm E-ring

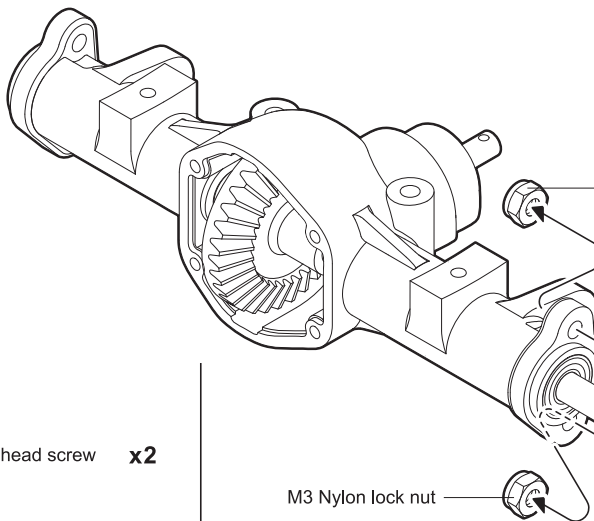


GM52119  
Ball bearing 1150



GM54104  
102mm Straight drive shaft

GM52119  
Ball bearing 1150



M3 Nylon lock nut

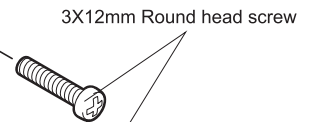


3X12mm Round head screw x2



M3 Nylon lock nut x2

M3 Nylon lock nut

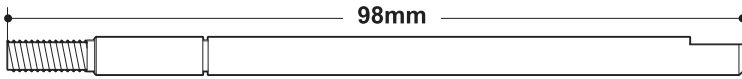


3X12mm Round head screw

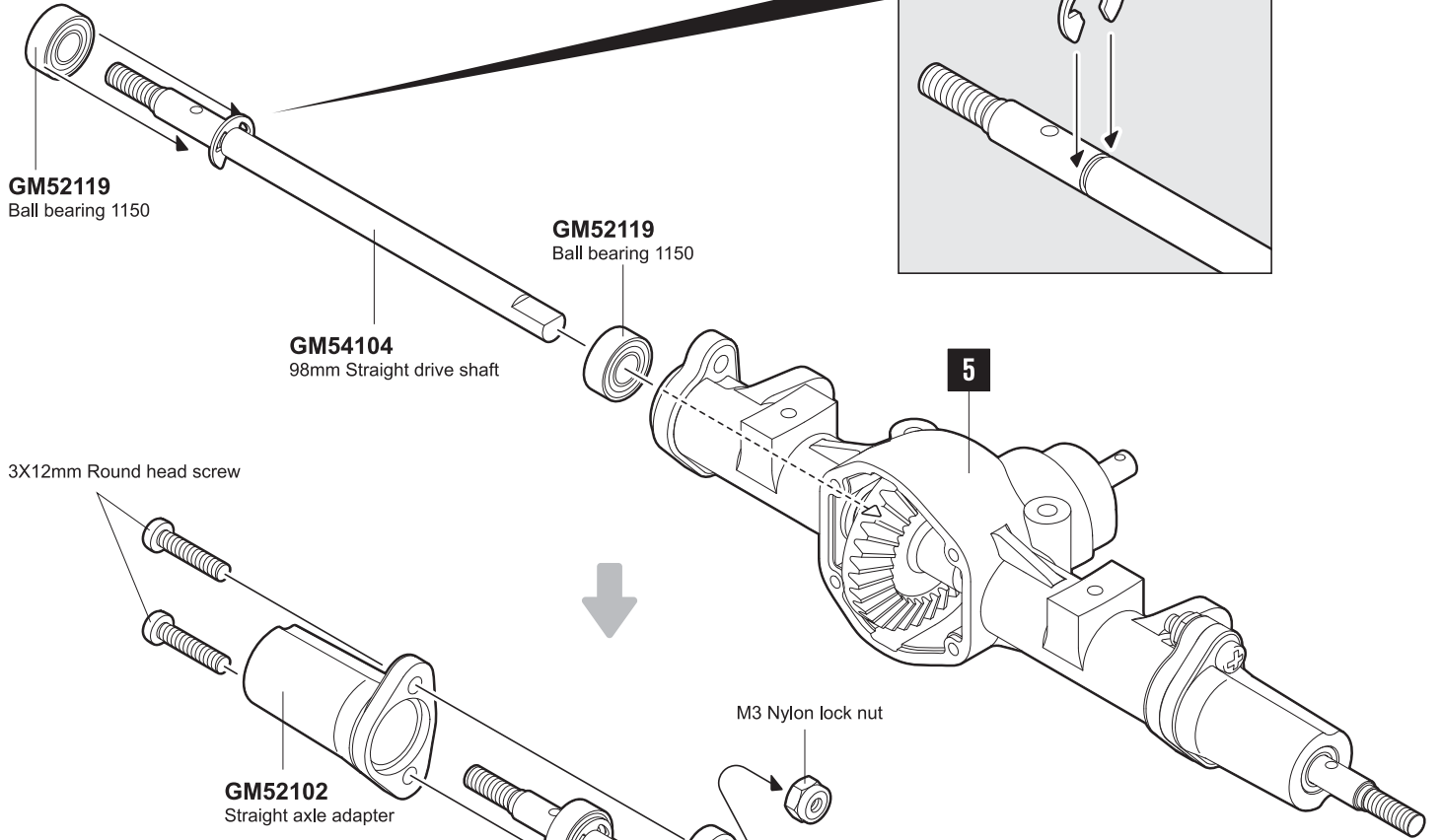
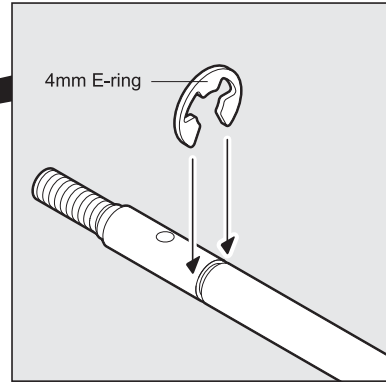
GM52102  
Straight axle adapter

# REAR AXLE


# 6

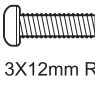


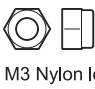
**GM54104**  
98mm Straight drive shaft **x1**




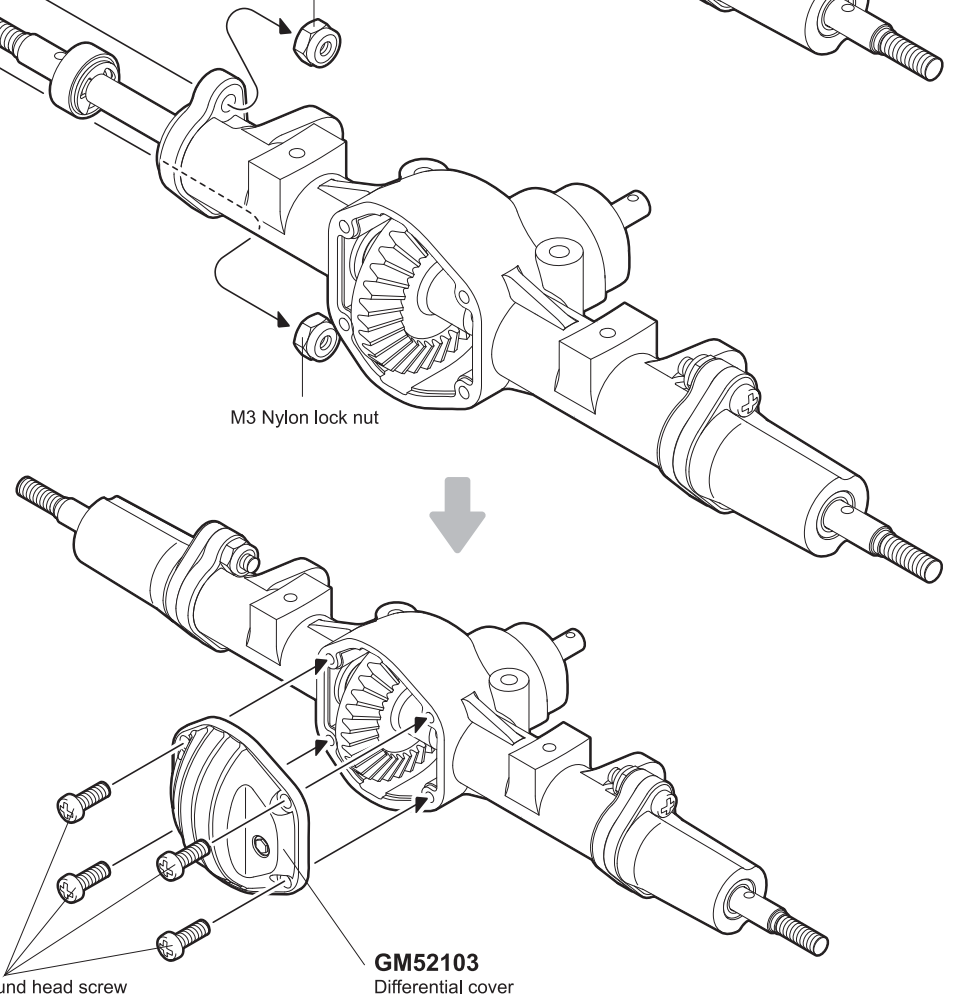
 **GM52119**  
Ball bearing 1150 **x2**

 4mm E-ring **x1**

 3X12mm Round head screw **x2**

 M3 Nylon lock nut **x2**

 2.6X6mm Round head screw **x4**

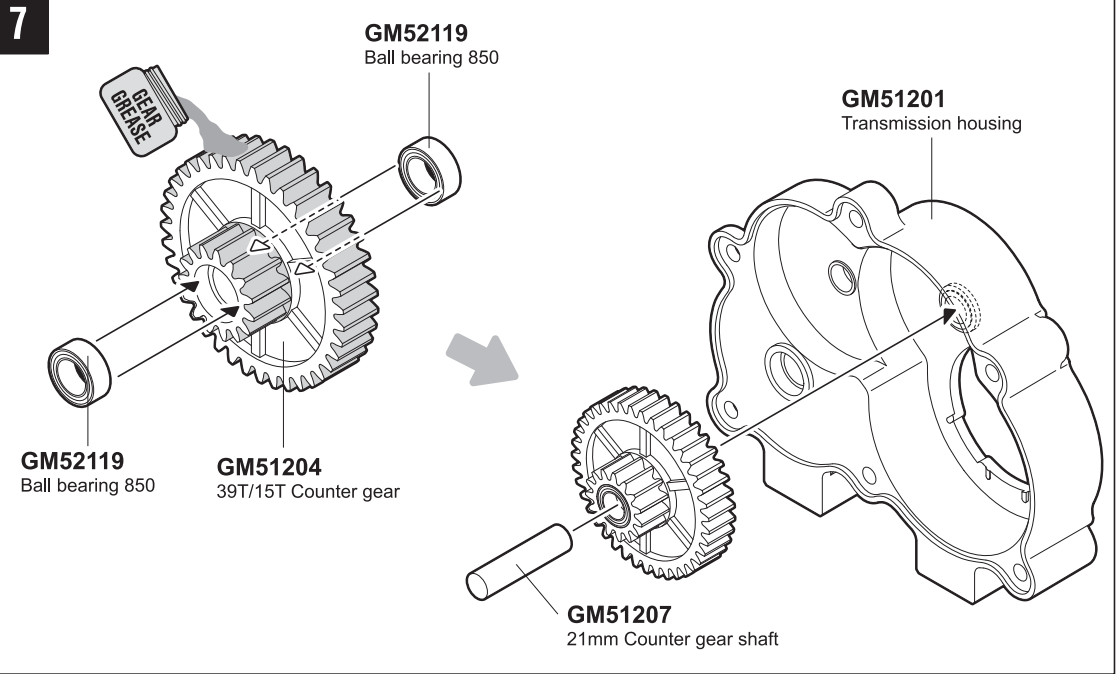


# TRANSMISSION HOUSING

**GM52119** x2  
Ball bearing 850

**GM51207** x1  
21mm Counter gear shaft

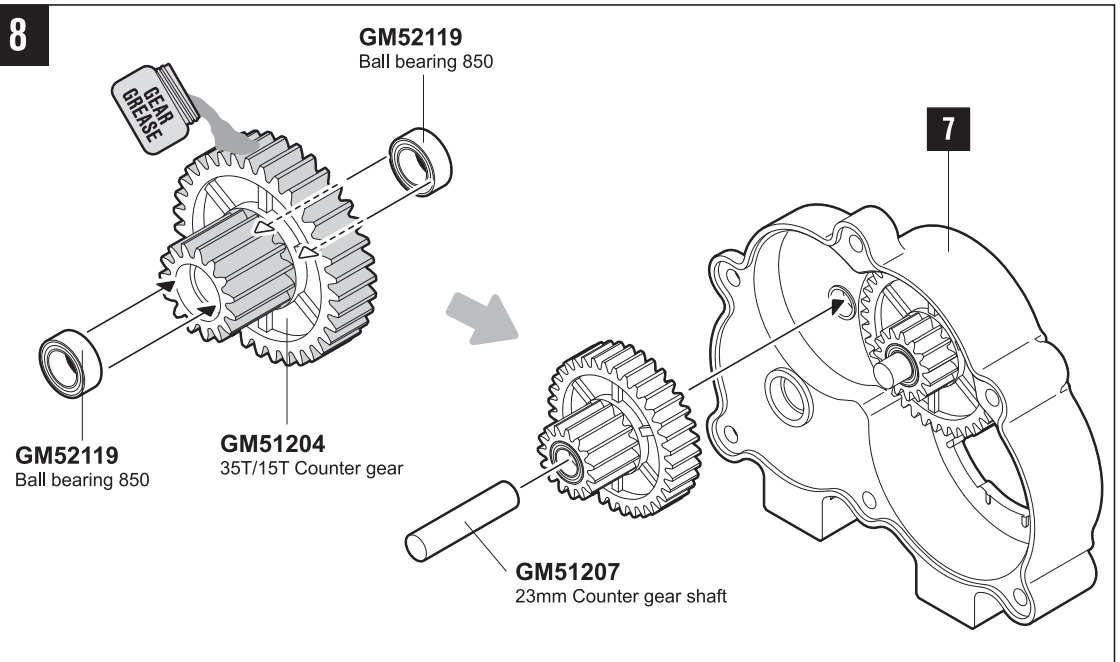
**GM51204** x1  
39T/15T Counter gear



**GM52119** x2  
Ball bearing 850

**GM51207** x1  
23mm Counter gear shaft

**GM51204** x1  
35T/15T Counter gear

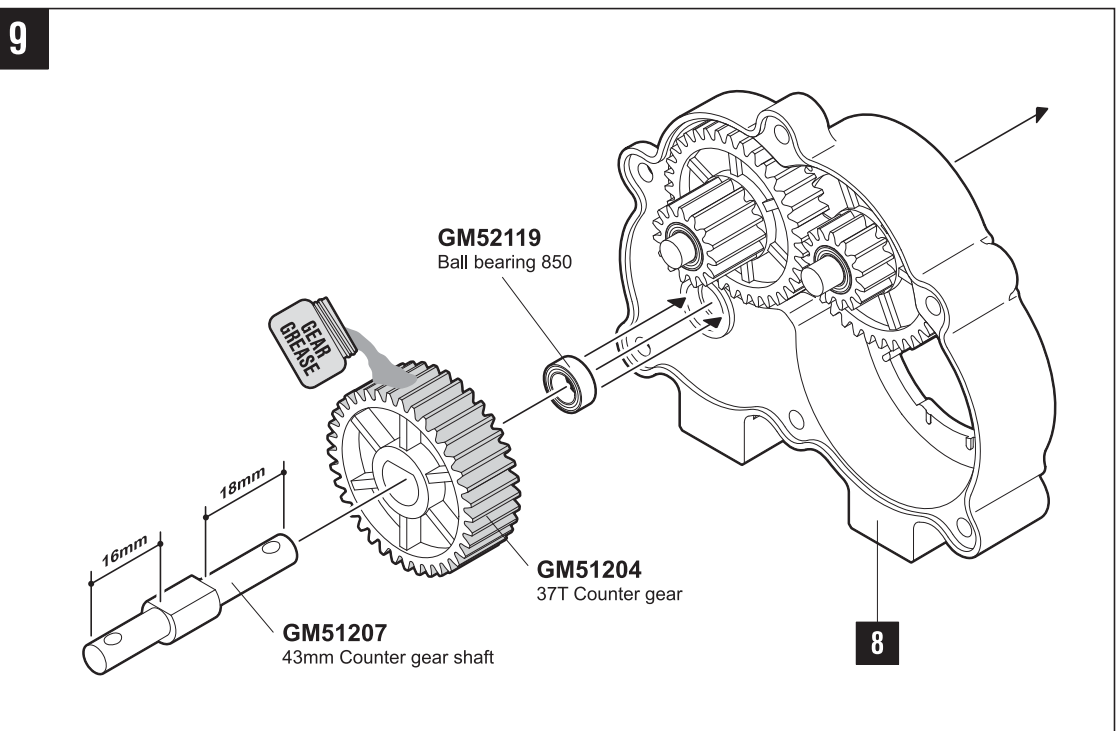


**GM52119** x1  
Ball bearing 850

**GM51207** x1  
43mm Counter gear shaft


16mm 18mm

**GM51204** x1  
37T Counter gear



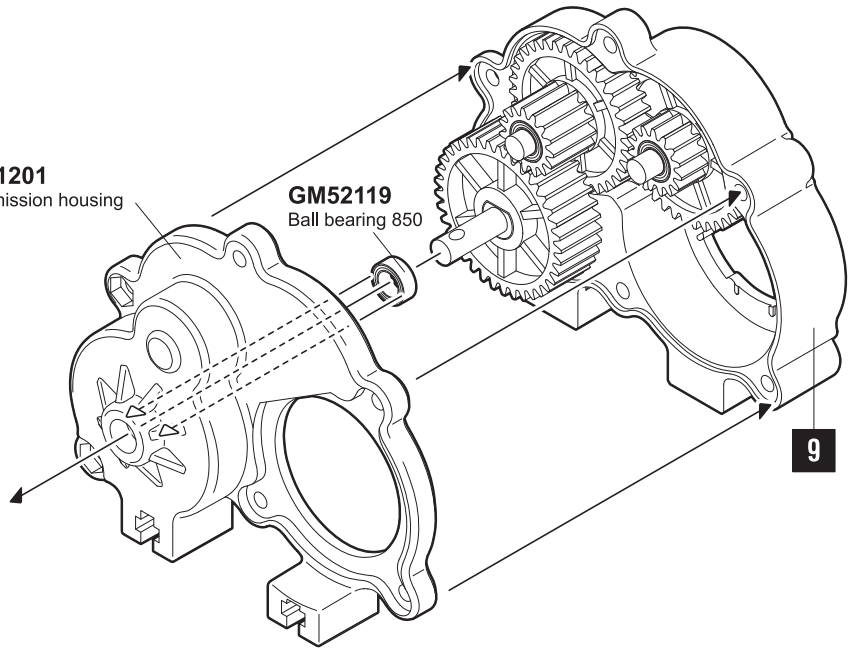
# TRANSMISSION HOUSING

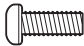
10


-  **GM52119**  
Ball bearing 850 **x1**

**GM51201**  
Transmission housing

**GM52119**  
Ball bearing 850




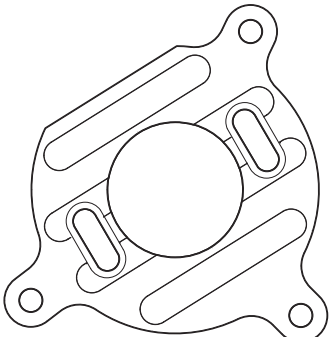
-  **3X8mm Round head screw** **x1**

-  **3X12mm Round head screw** **x1**

-  **3X16mm Round head screw** **x1**

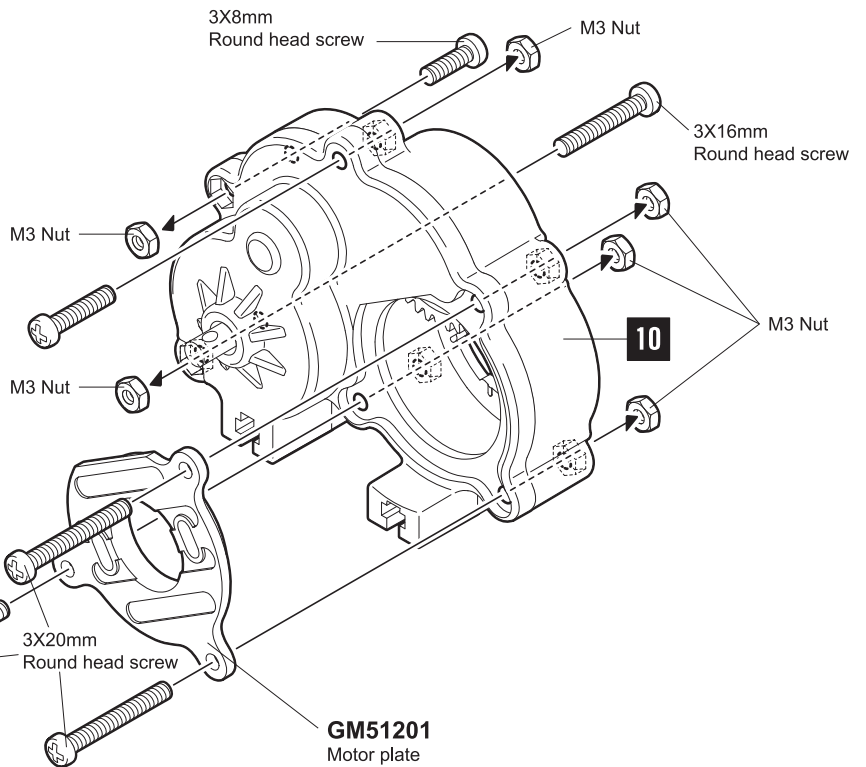
-  **3X20mm Round head screw** **x3**

-  **M3 Nut** **x6**



**GM51201**  
Motor plate **x1**

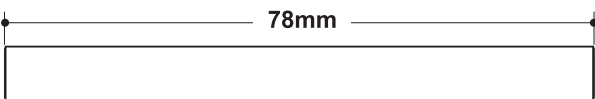
11



# LOWER LINK

12

**MAKE X 4**

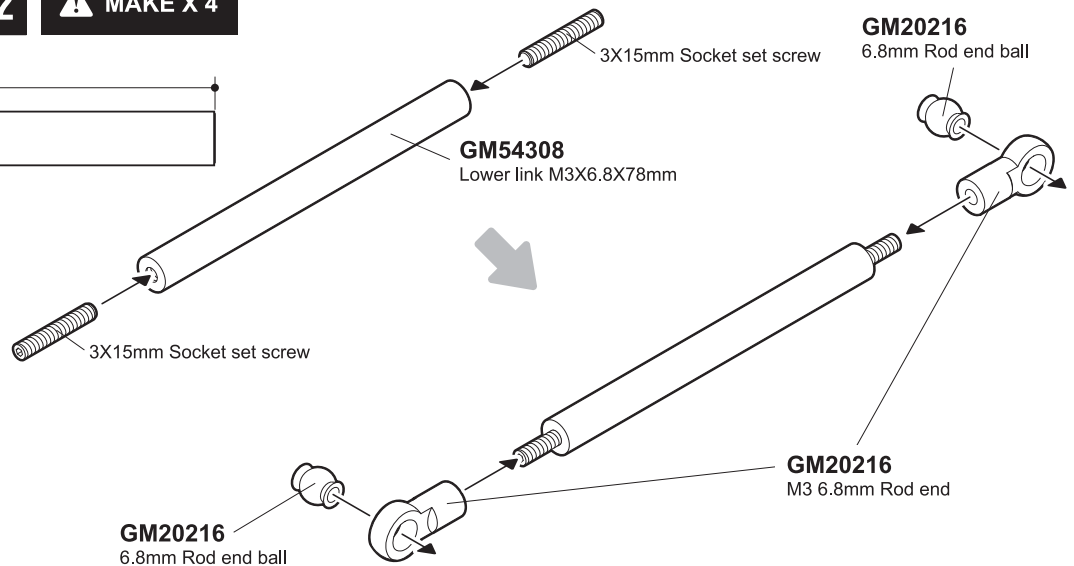


- GM54308**  
Lower link M3X6.8X78mm **x4**

-  **3X15mm Socket set screw** **x8**

-  **GM20216**  
M3 6.8mm Rod end **x8**

-  **GM20216**  
6.8mm Rod end ball **x8**



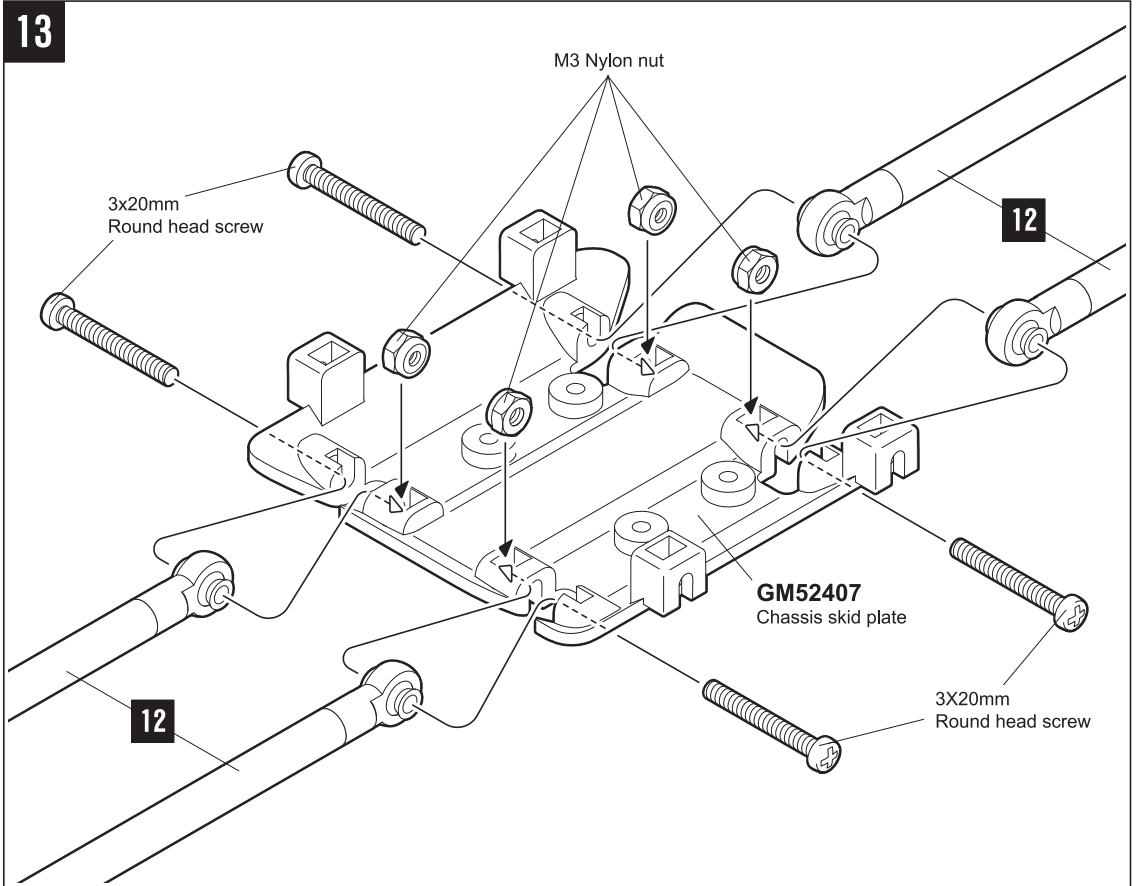
## SKID PLATE



3X20mm Round head screw **x4**



M3 Nylon lock nut **x4**



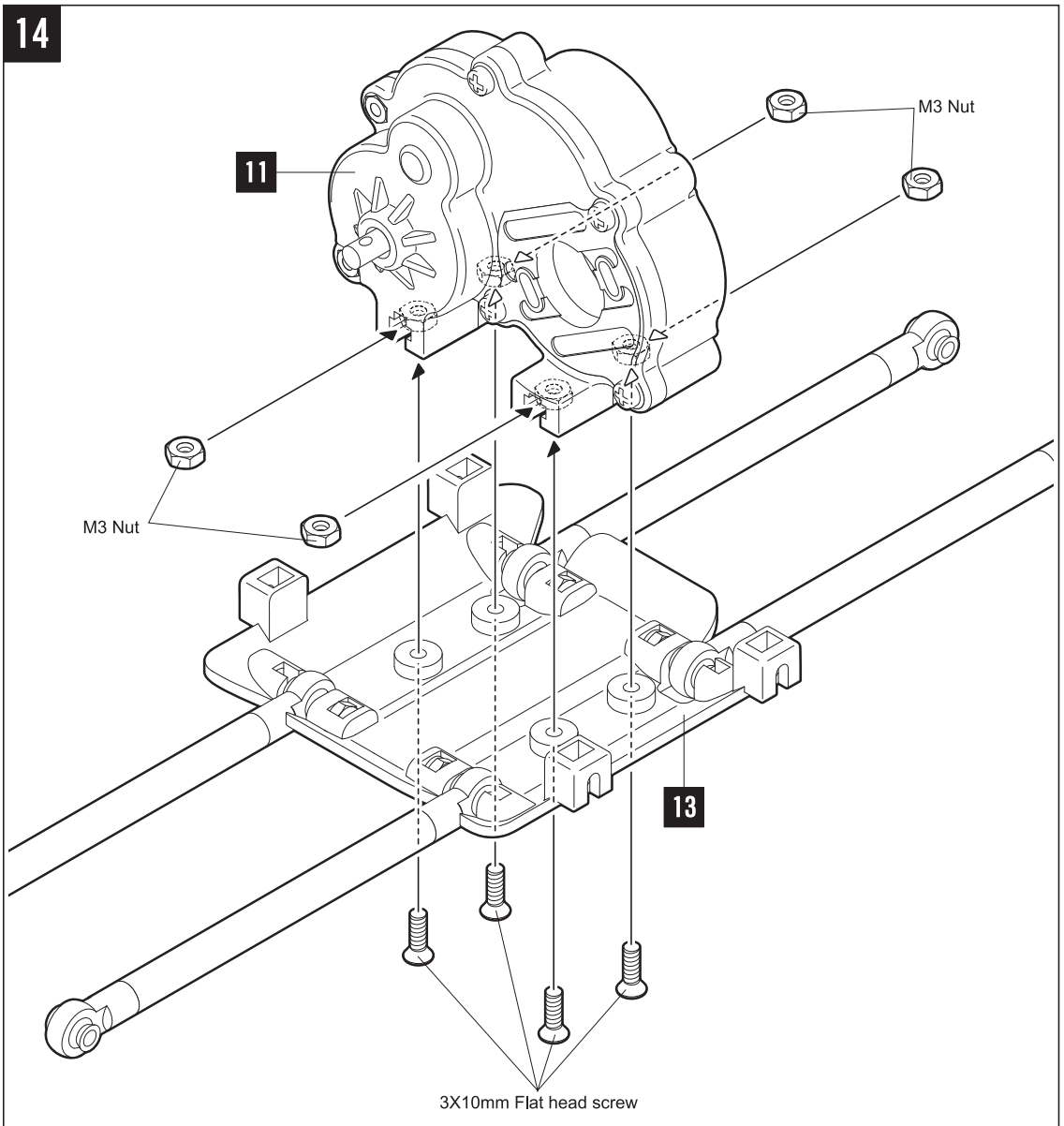
## TRANSMISSION HOUSING



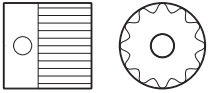
3X10mm Flat head screw **x4**



M3 nut **x4**



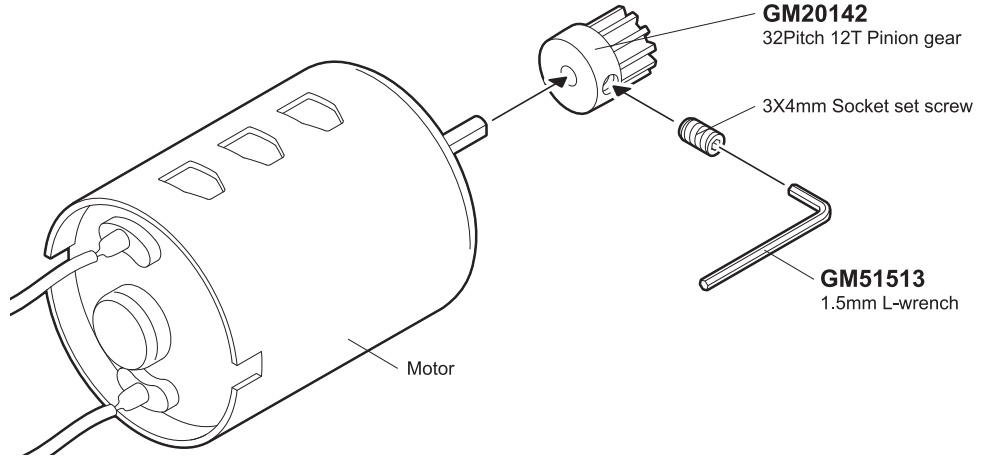
# MOTOR



**GM20142**  
32Pitch 12T Pinion gear **x1**

**3X4mm Socket set screw** **x1**

**15** Motor is not included.



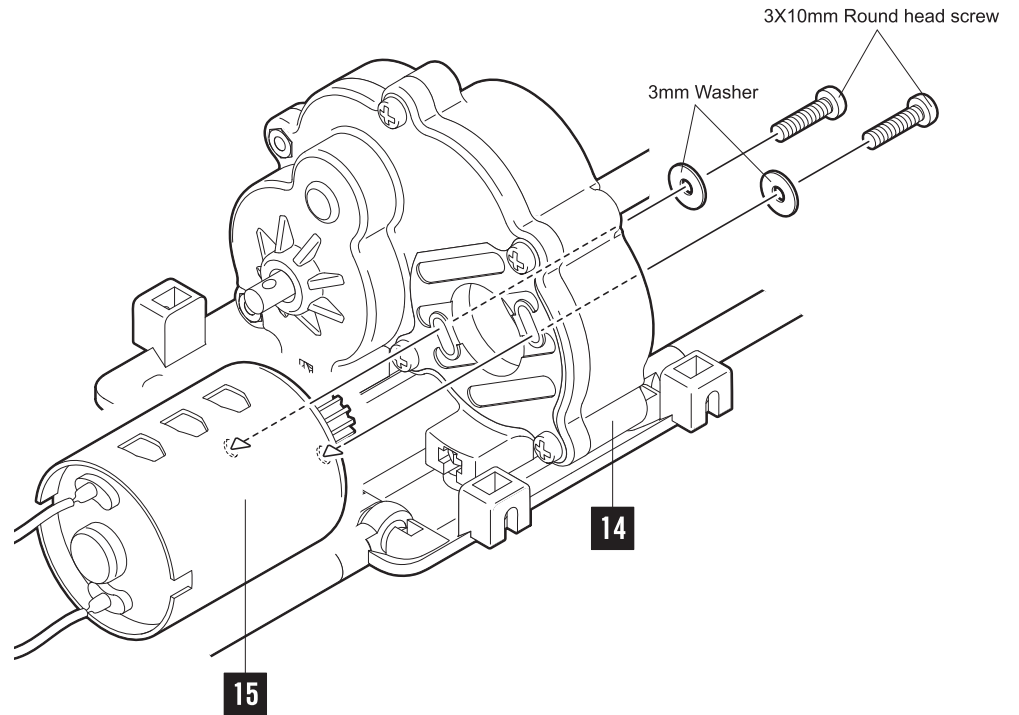
**3X10mm Round head screw** **x2**

**3mm Washer** **x2**

## GEAR RATIO

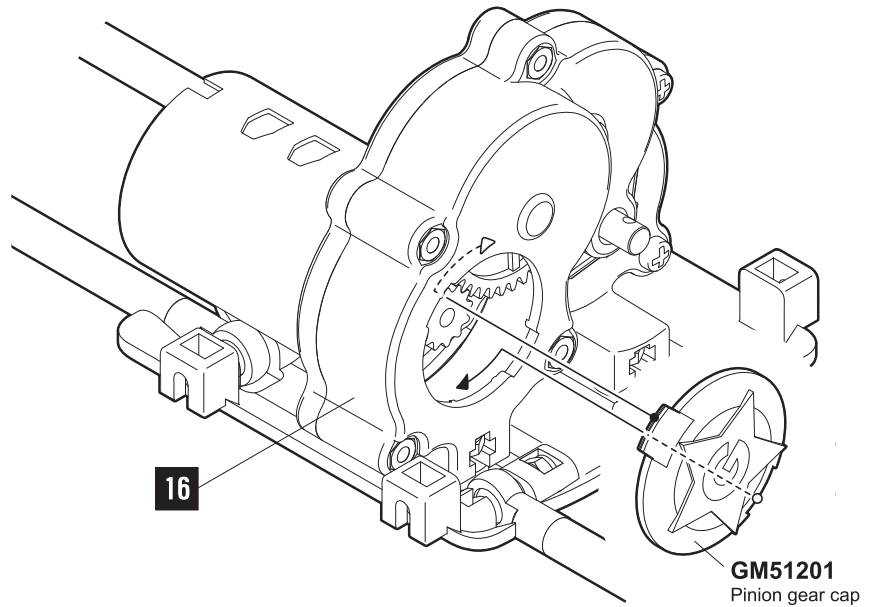
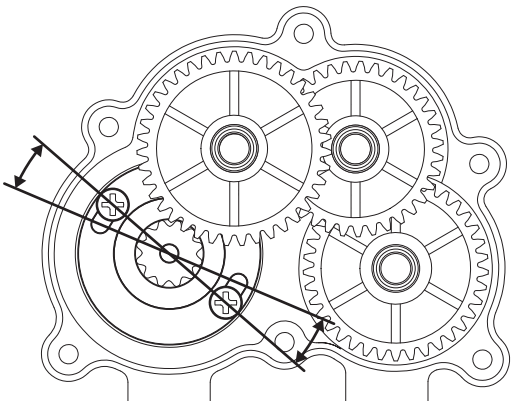
9	57.0	Slower-more torque
10	51.3	
11	46.6	
12	42.8	STOCK
13	39.5	
14	36.6	
15	34.2	
16	32.1	
17	30.2	
18	28.5	
19	27.0	Faster-less torque

**16** **3X10mm Round head screw**



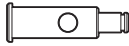
**17**


Set gear mesh by adjusting motor plate position.

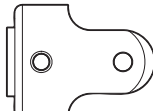


# UNIVERSAL SHAFT


 2mm E-ring **x4**

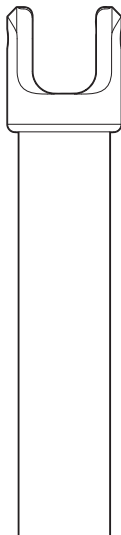
  
**GM54305**  
 Universal drive coupler **x4**

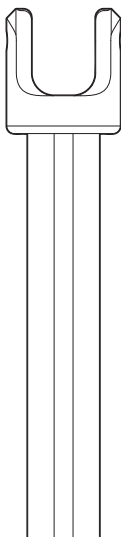
  
**GM54305**  
 Universal joint **x4**

  
**GM54311**  
 Universal drive hub **x4**

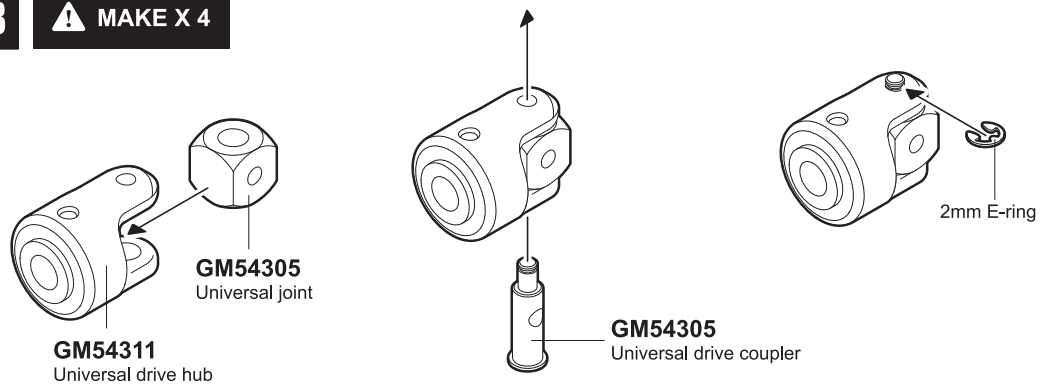
  
**GM54305**  
 Universal cross pin **x4**

 2mm E-ring **x4**

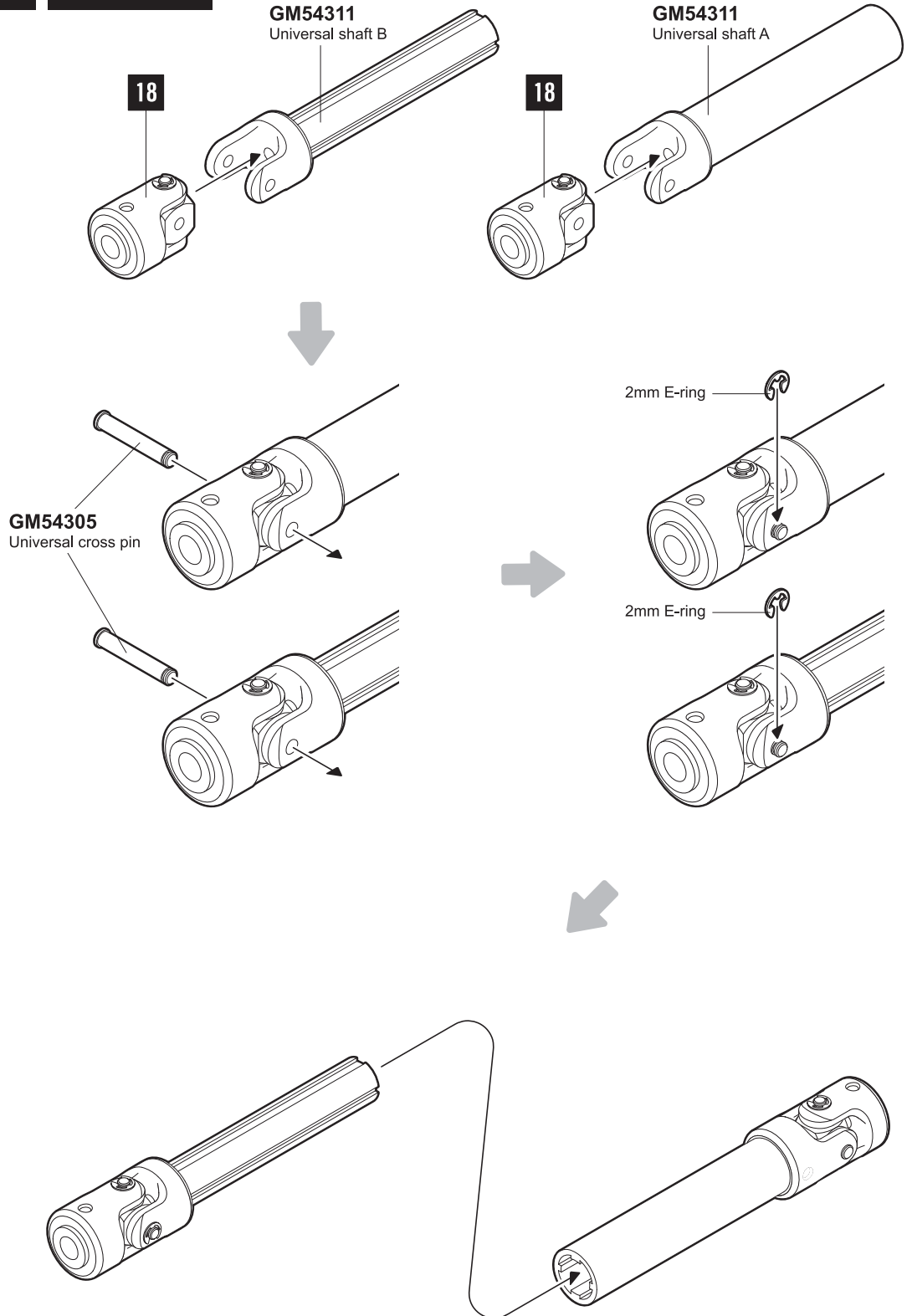
  
**GM54311**  
 Universal shaft A **x2**

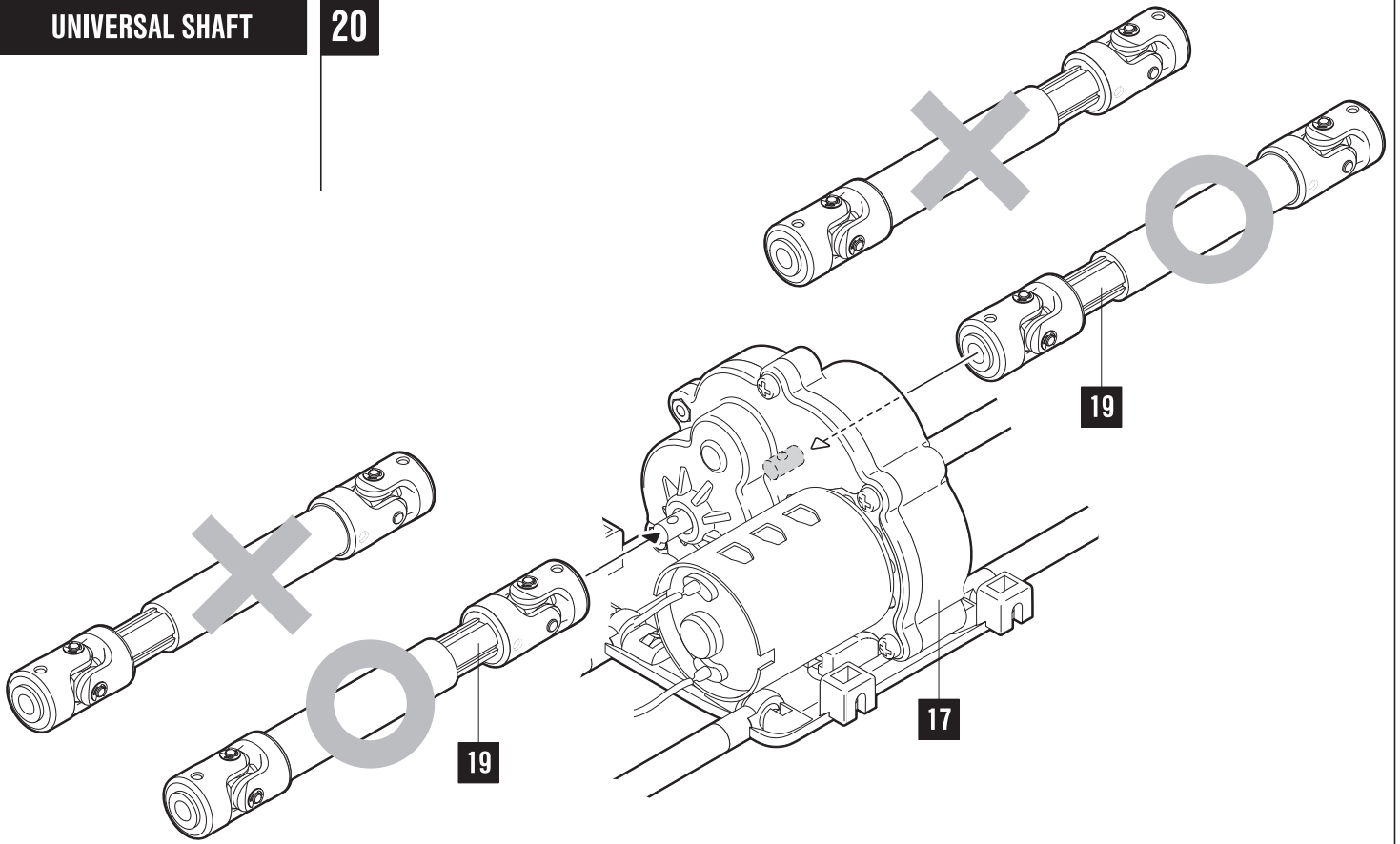
  
**GM54311**  
 Universal shaft B **x2**

## 18 MAKE X 4




## 19 MAKE X 2



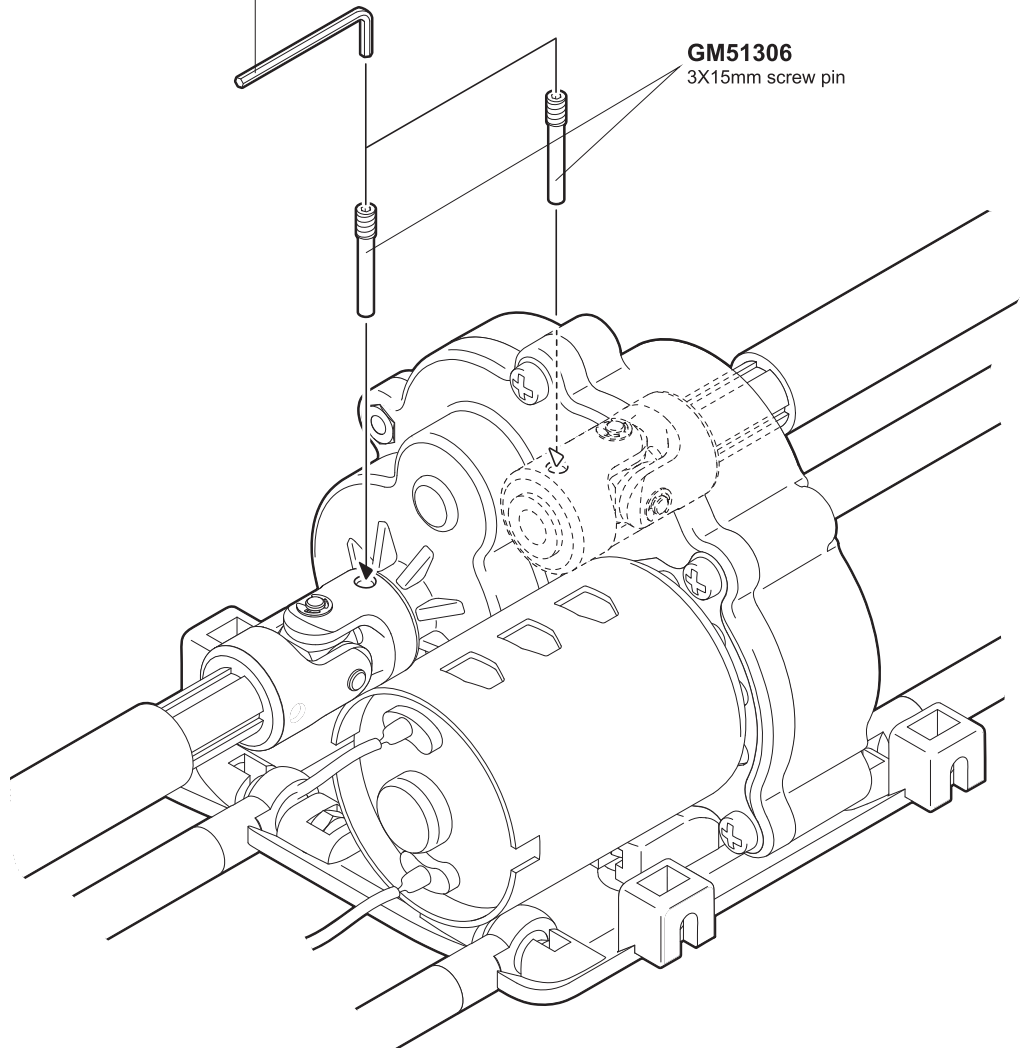


GM51513  
1.5mm L-wrench

  
GM51306  
3X15mm screw pin

x2

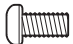
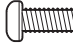

GM51306  
3X15mm screw pin

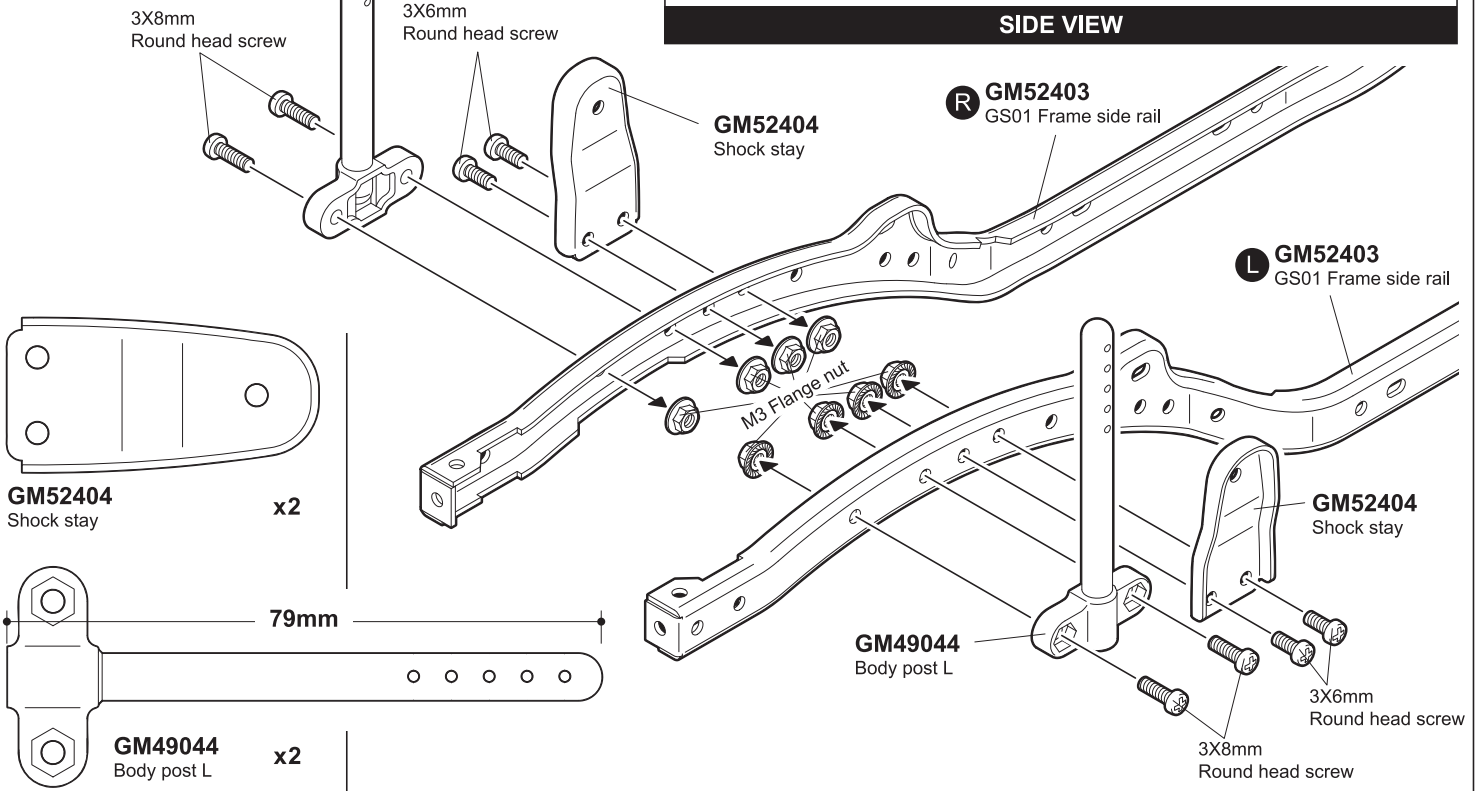
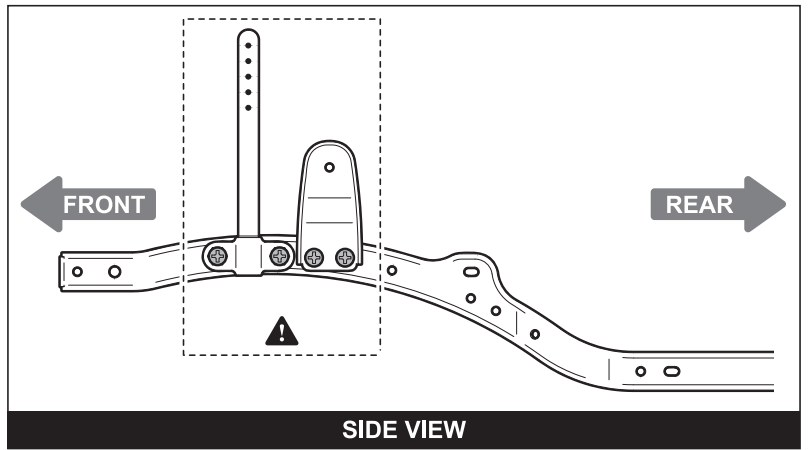




# FRAME - FRONT

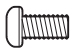

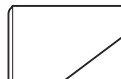
21

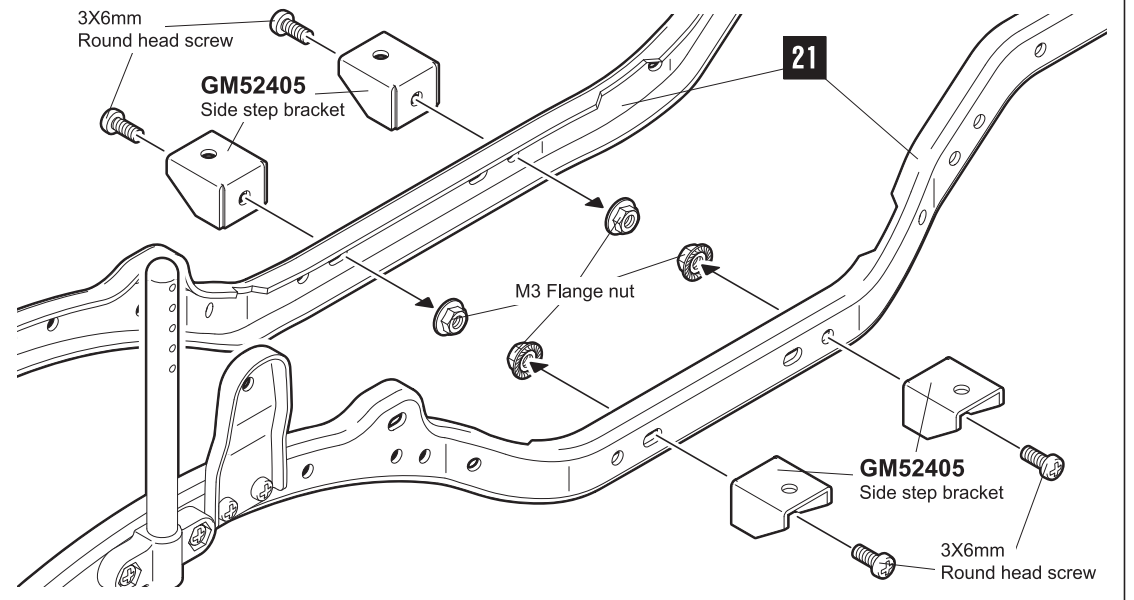
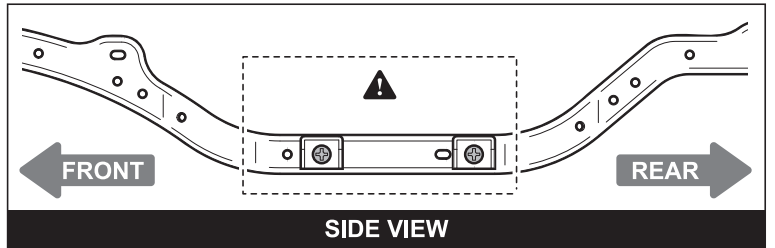
-  3X6mm Round head screw **x4**
-  3X8mm Round head screw **x4**
-  M3 Flange nut **x8**



# FRAME - MID

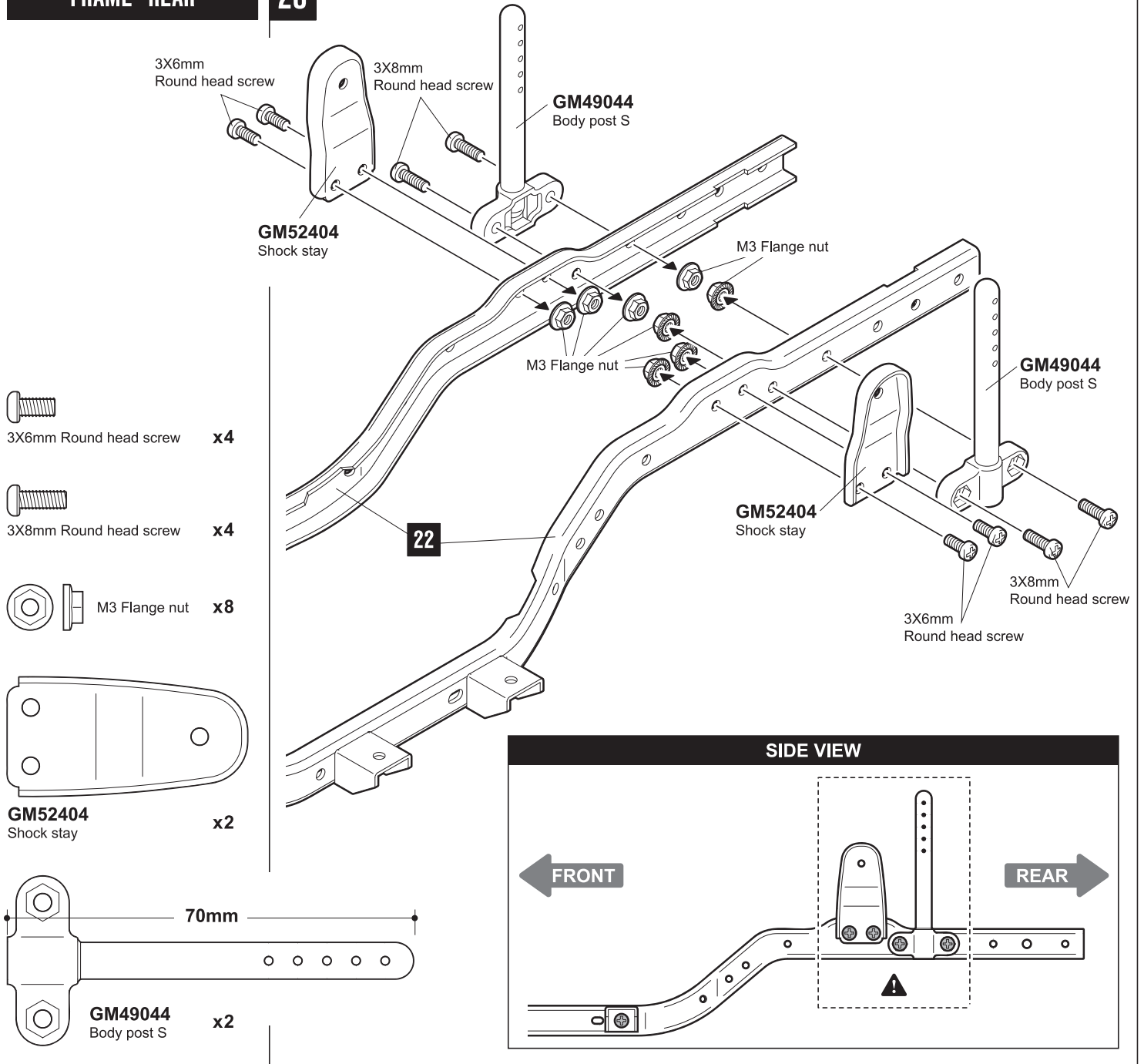
22

-  3X6mm Round head screw **x4**
-  M3 Flange nut **x4**
-  **GM52405** Side step bracket **x4**



# FRAME - REAR

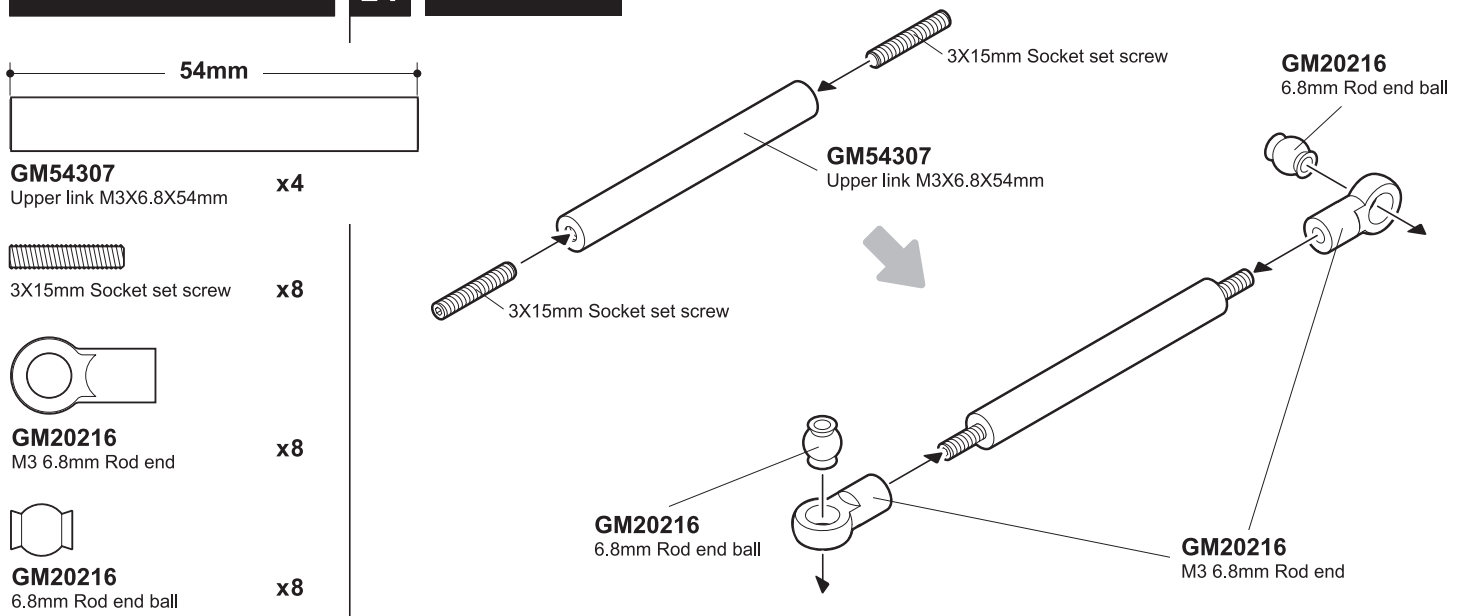
## 23



# UPPER LINK

## 24

**⚠ MAKE X 4**



# UPPER LINK

25



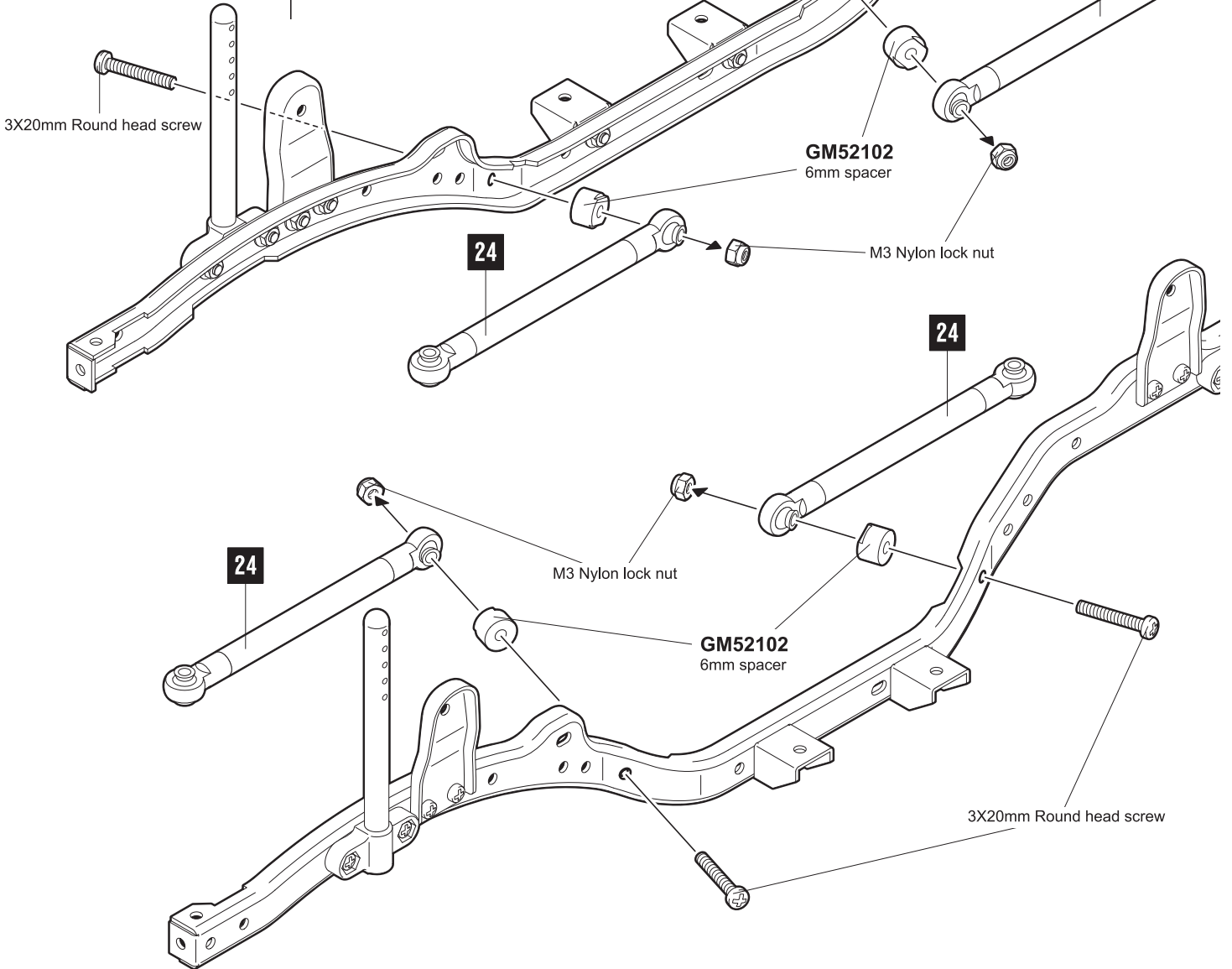
**GM52102**  
6mm spacer **x4**



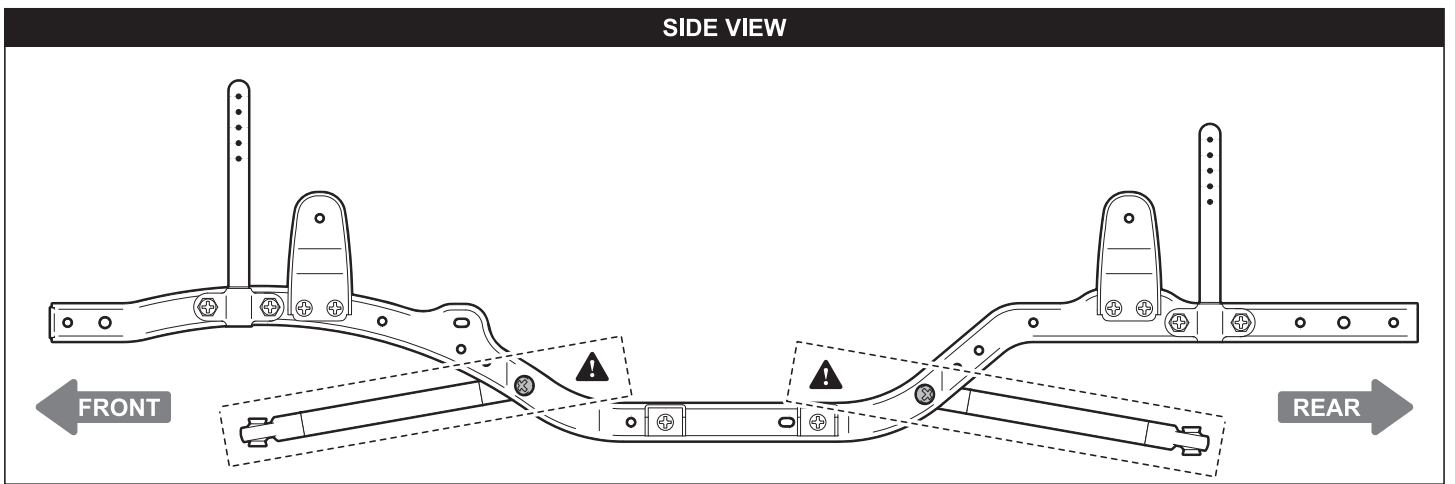
3X20mm Round head screw **x4**

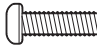
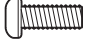




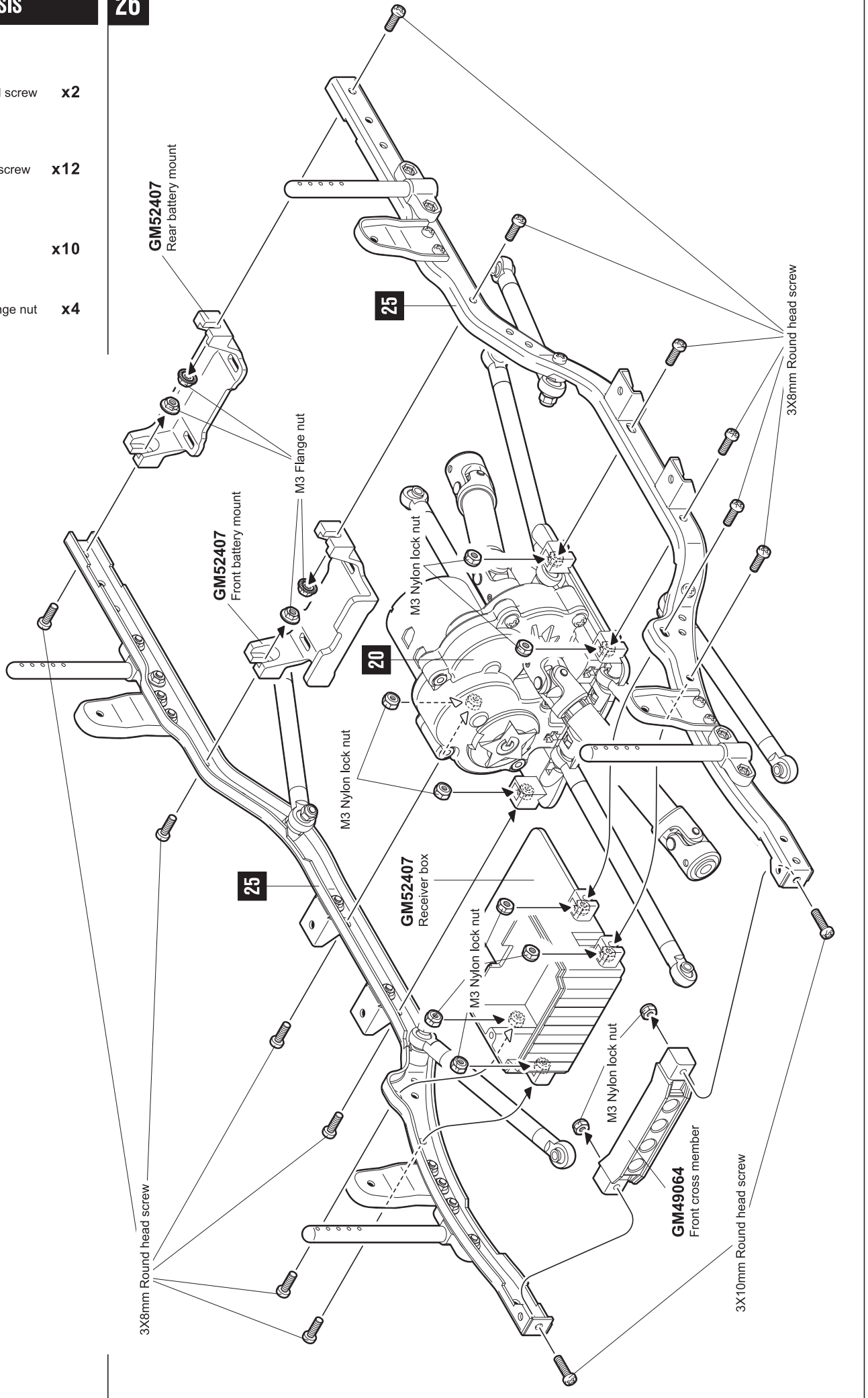
M3 Nylon lock nut **x4**



## SIDE VIEW





-  3X10mm Round head screw **x2**
-  3X8mm Round head screw **x12**
-  M3 Nylon lock nut **x10**
-  M3 Flange nut **x4**

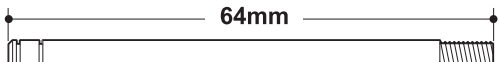


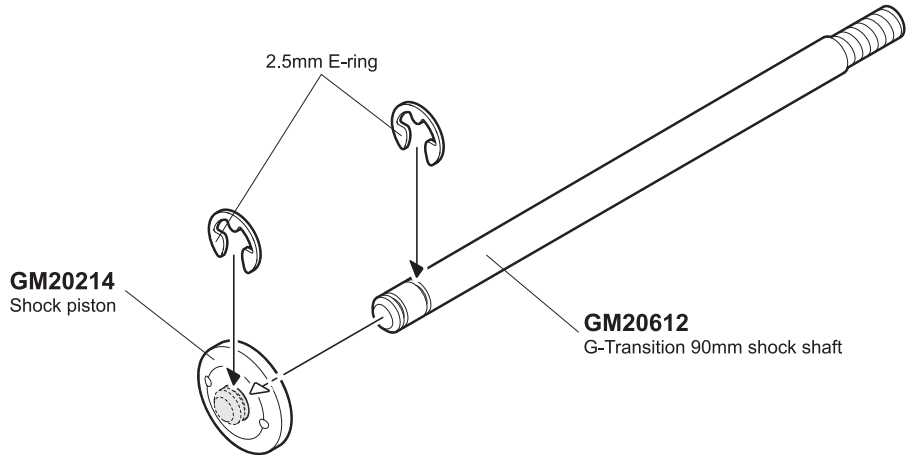
# SHOCK ABSORBER

**27** ⚠ MAKE X 4

 2.5mm E-ring x8

 **GM20214**  
Shock piston x4

 64mm  
**GM20612**  
G-Transition 90mm shock shaft x4

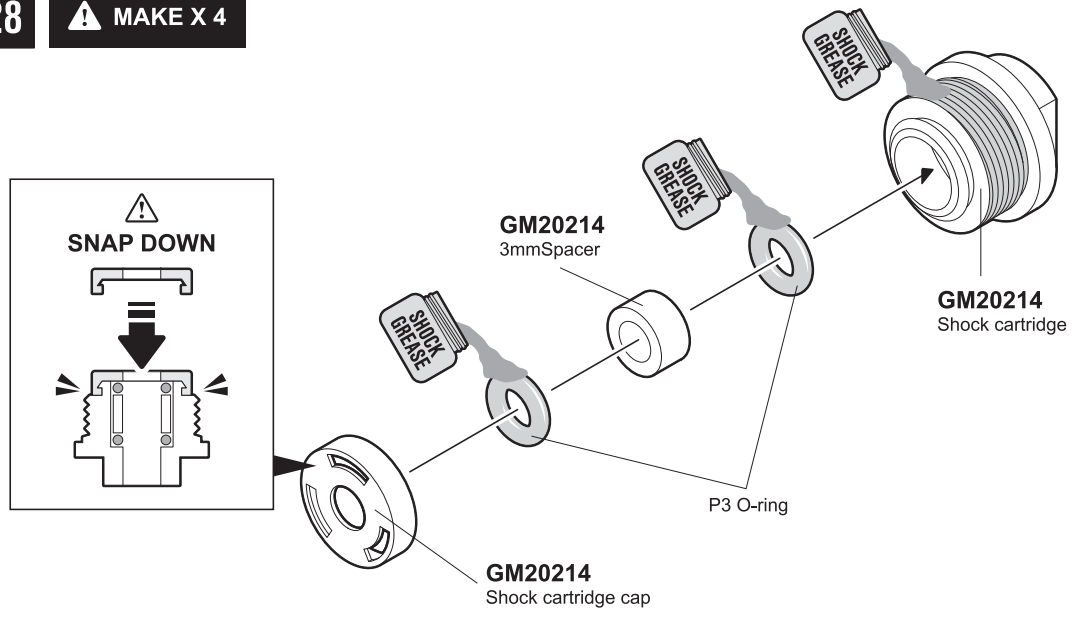


**28** ⚠ MAKE X 4


 P3 O-ring x8

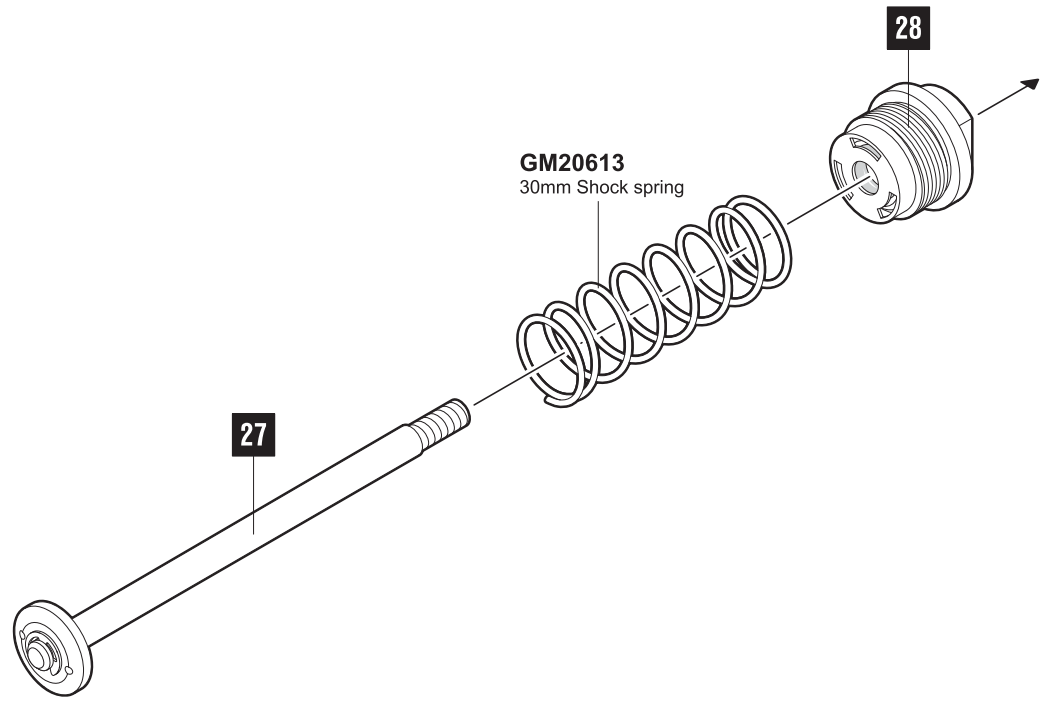
 **GM20214**  
3mm Spacer x4

 **GM20214**  
Shock cartridge cap x4



**29** ⚠ MAKE X 4

 **GM20613**  
30mm Shock spring x4

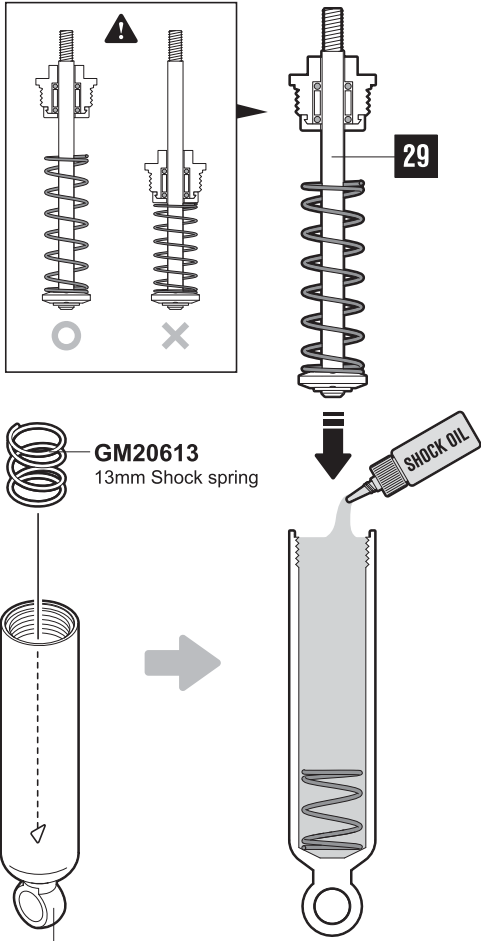


# SHOCK ABSORBER

30

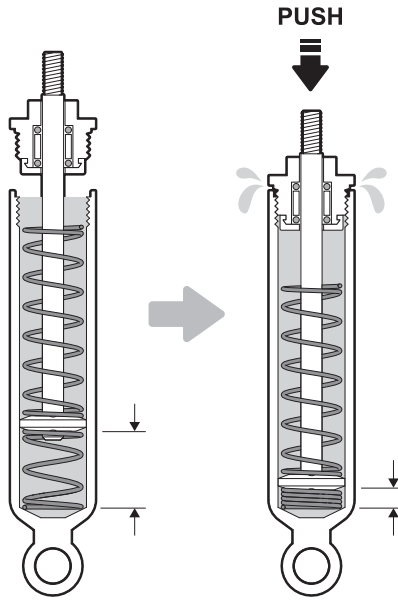
▲ MAKE X 4

1 Holding the shock body inverted, fill the shock body with shock oil.

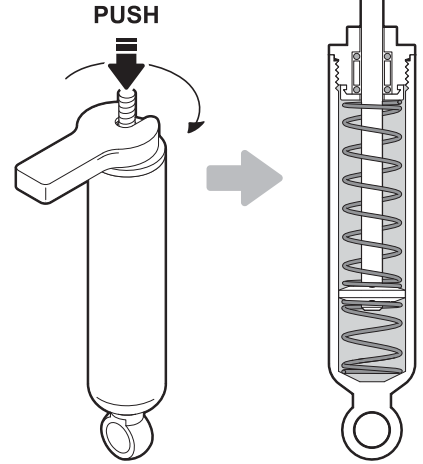


**GM20611**  
G-Transition 90mm shock body

2 Slowly push down shock cartridge & piston. This will bleed the excess oil out of the shock.



3 Slowly tighten the shock cartridge.



**GM20613**  
13mm Shock spring

x4

**GM20221**  
Shock bushing

x4

**GM20221**  
Shock end ball

x4

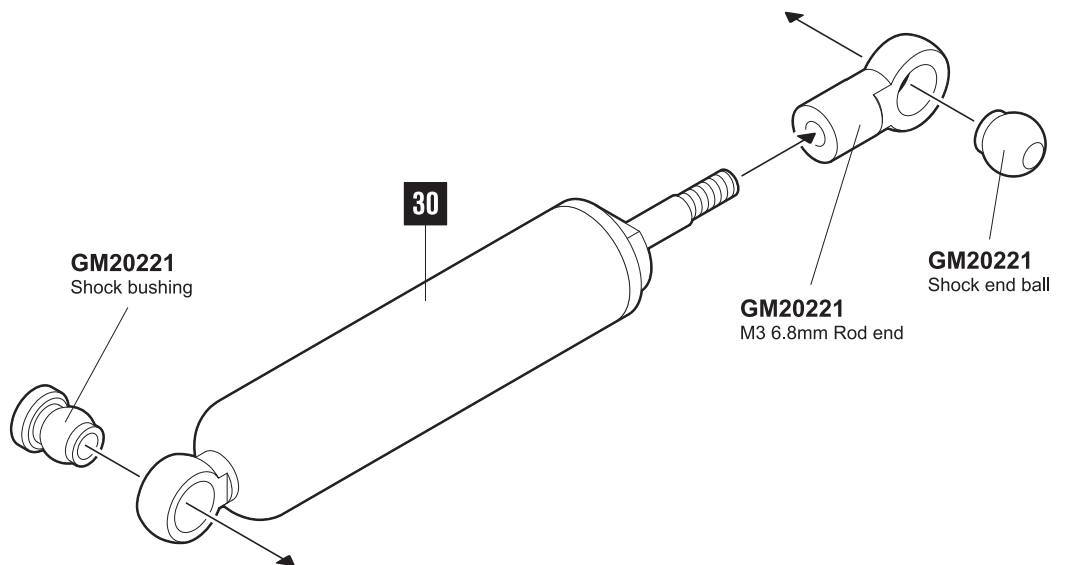


**GM20221**  
M3 6.8mm Rod end

x4



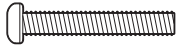

31

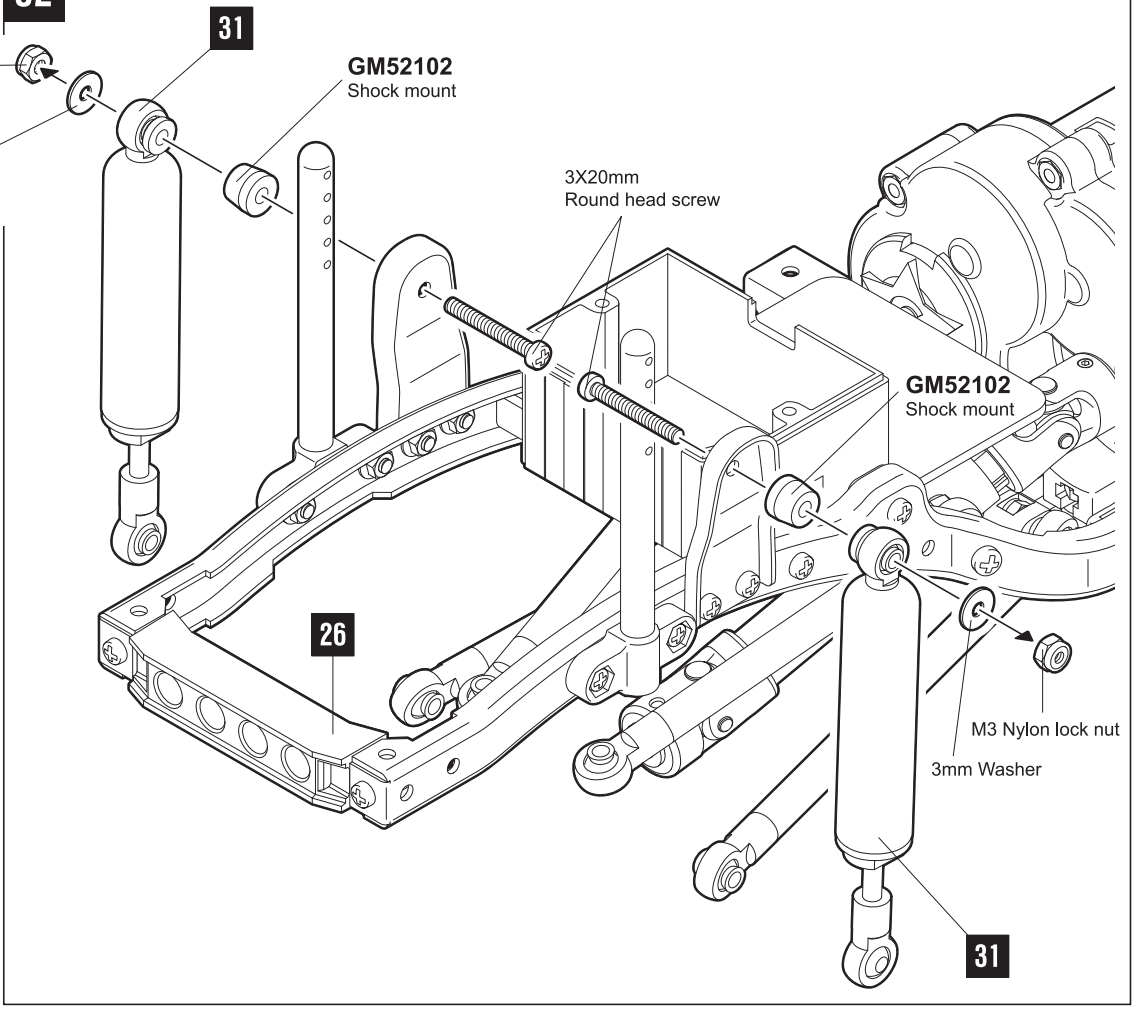
▲ MAKE X 4



# FRONT CHASSIS + SHOCK



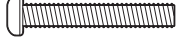

32

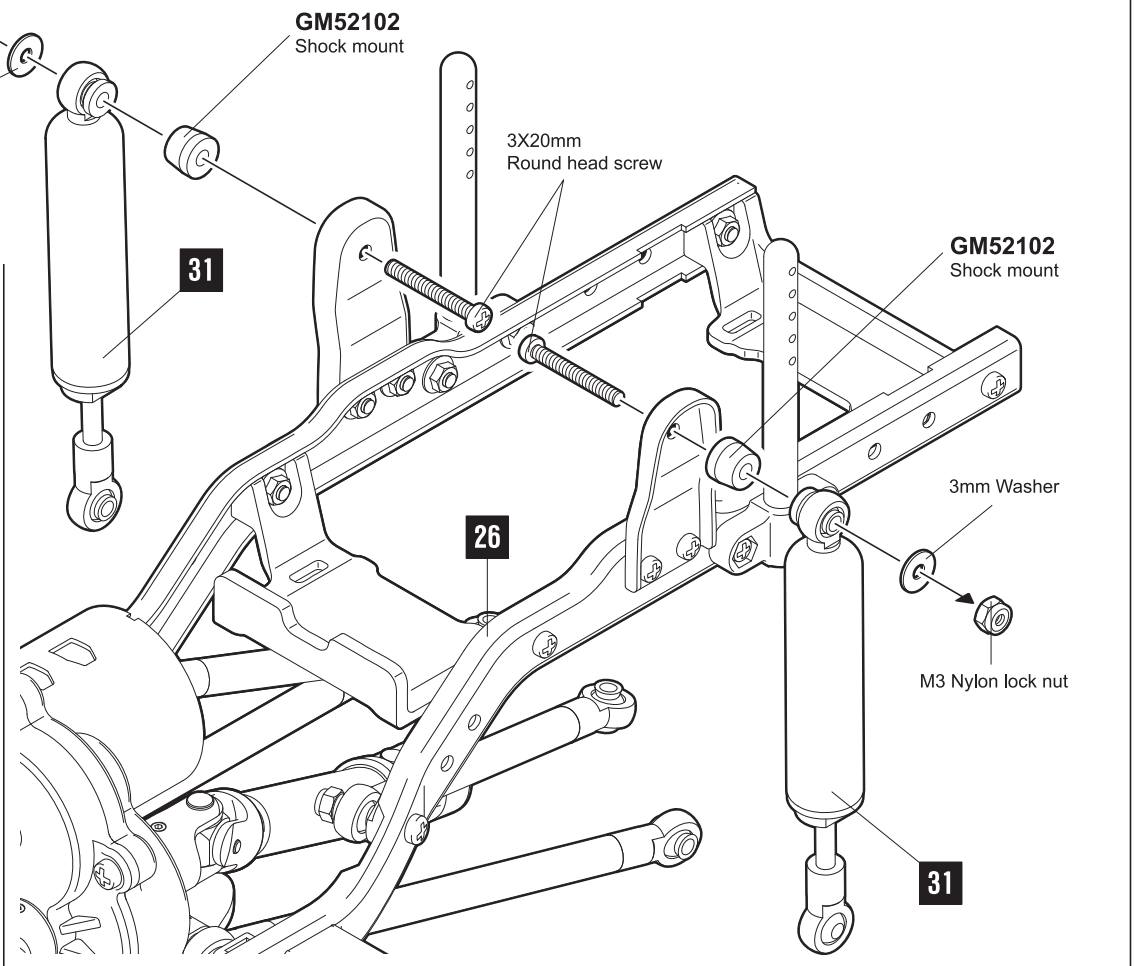
-  3mm Washer **x2**
-  M3 Nylon lock nut **x2**
-  3X20mm Round head screw **x2**
-  **GM52102** Shock mount **x2**

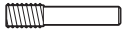


# REAR CHASSIS + SHOCK

33

-  3mm Washer **x2**
-  M3 Nylon lock nut **x2**
-  3X20mm Round head screw **x2**
-  **GM52102** Shock mount **x2**





**GM51306**  
3X15mm screw pin **x1**



3X25mm Round head screw **x2**



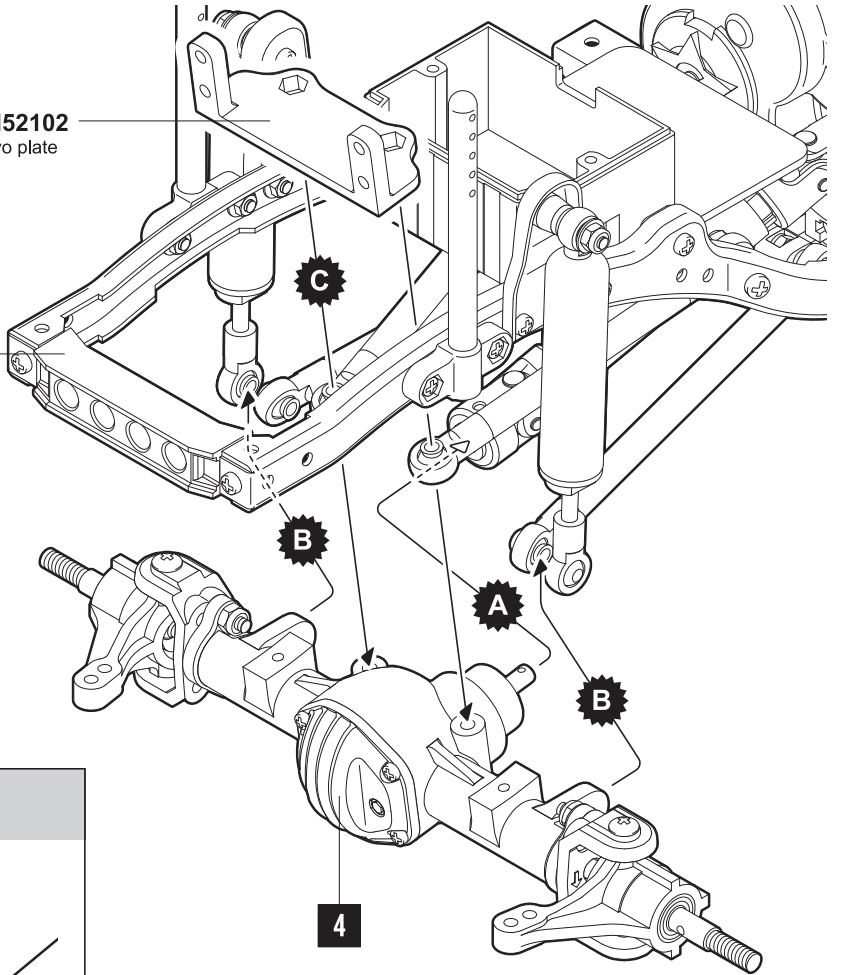
3X30mm Round head screw **x2**



M3 Nylon lock nut **x4**

**GM52102**  
Servo plate

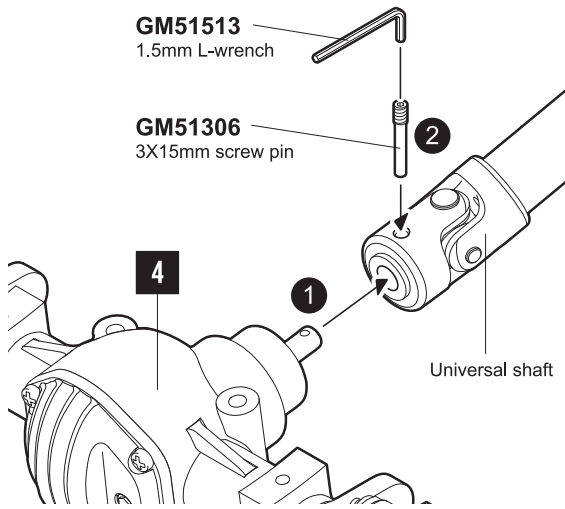
33



**A Front axle + Universal shaft**

**GM51513**  
1.5mm L-wrench

**GM51306**  
3X15mm screw pin



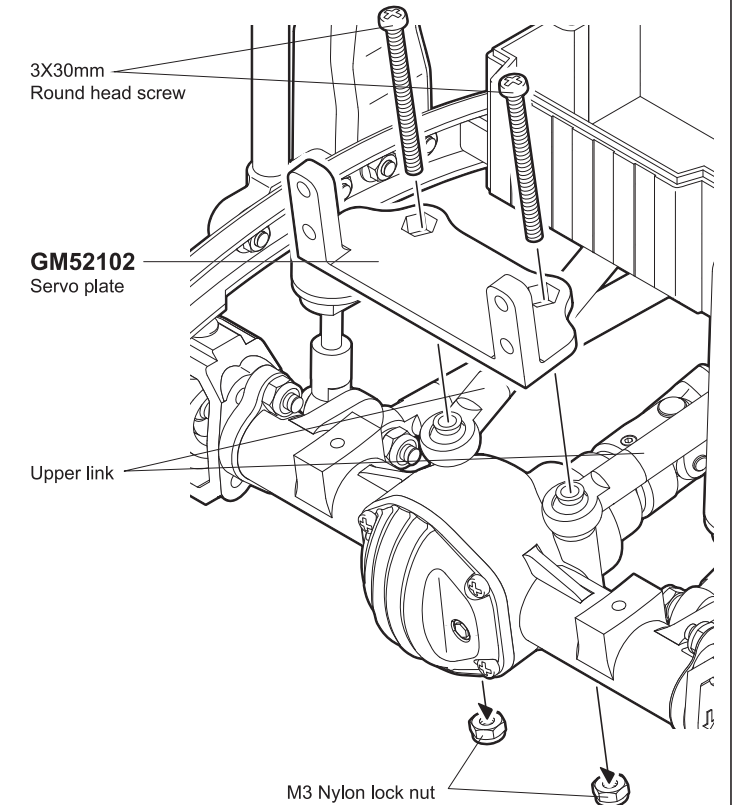
**C Front axle + Upper link + Servo plate**

3X30mm  
Round head screw

**GM52102**  
Servo plate

Upper link

M3 Nylon lock nut



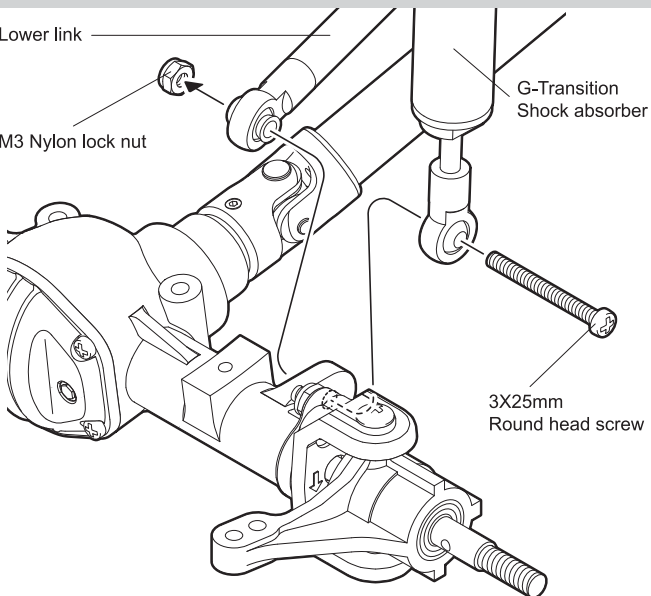
**B Front axle + Lower link + Shock absorber**

Lower link

M3 Nylon lock nut

G-Transition  
Shock absorber

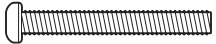
3X25mm  
Round head screw







**GM51306**  
3X15mm screw pin **x1**



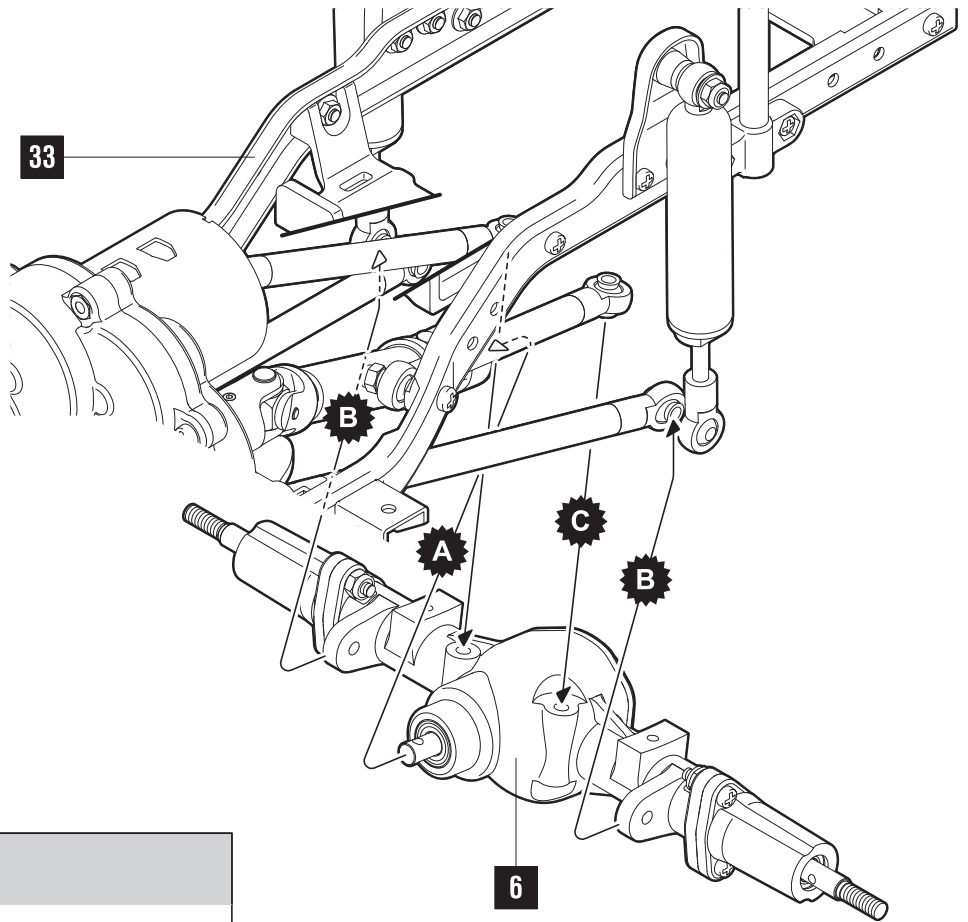
3X25mm Round head screw **x2**



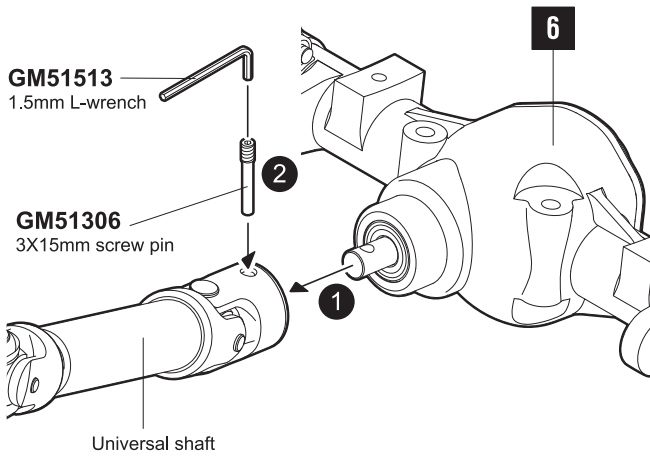
3X30mm Round head screw **x2**



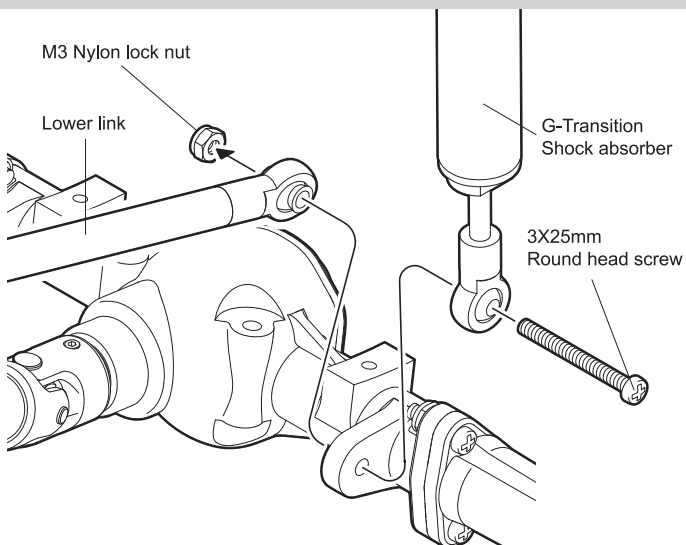
M3 Nylon lock nut **x4**



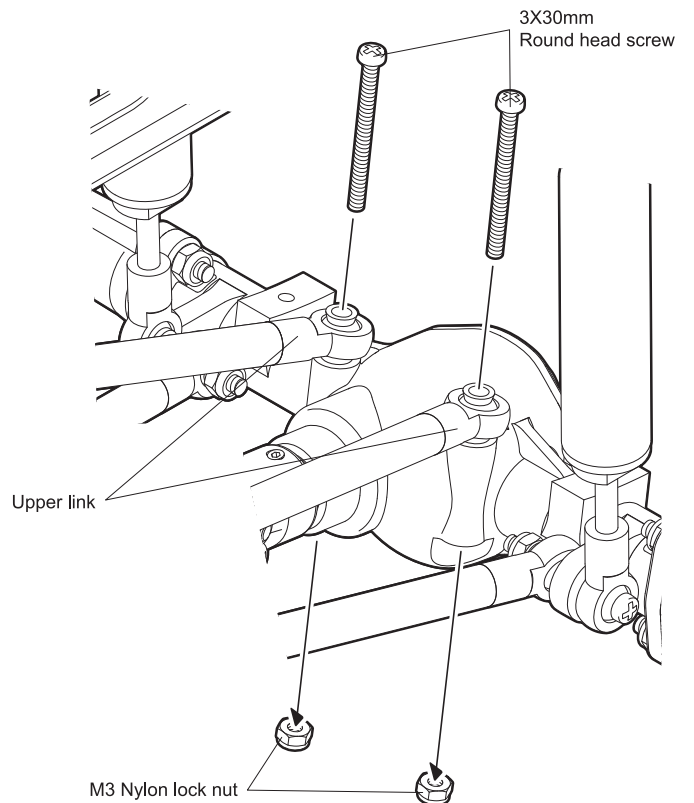
**A Rear axle + Universal shaft**



**B Rear axle + Lower link + Shock absorber**

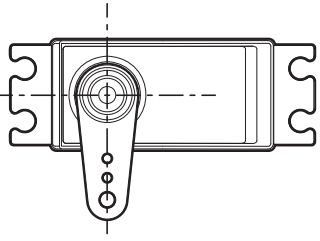


**C Rear axle + Upper link**

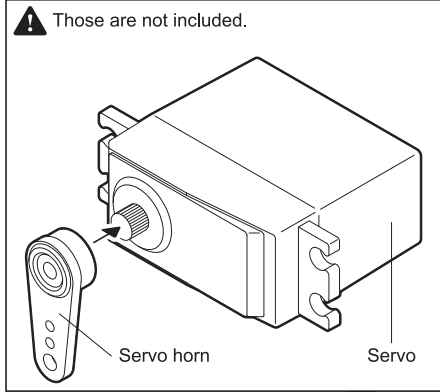





# SERVO MOUNT

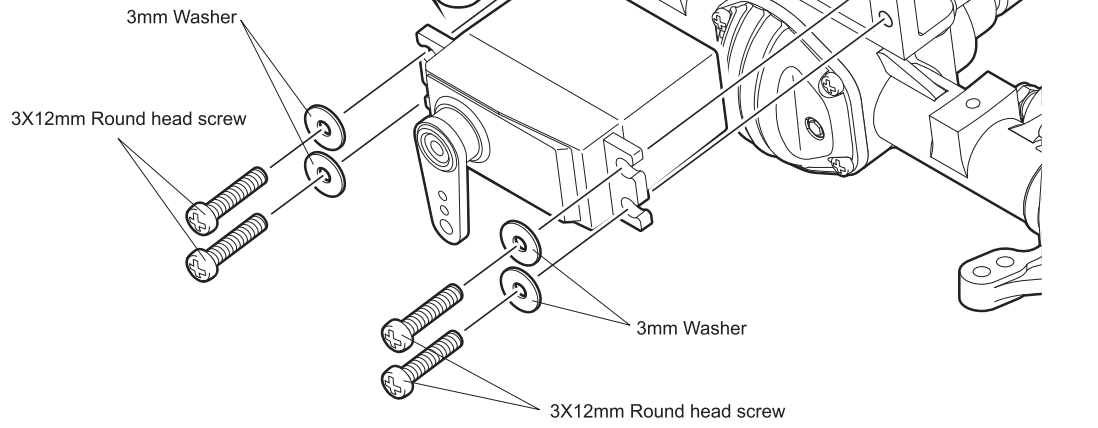
36



⚠ Set to the neutral position before attaching the servo horn to the servo.


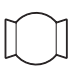


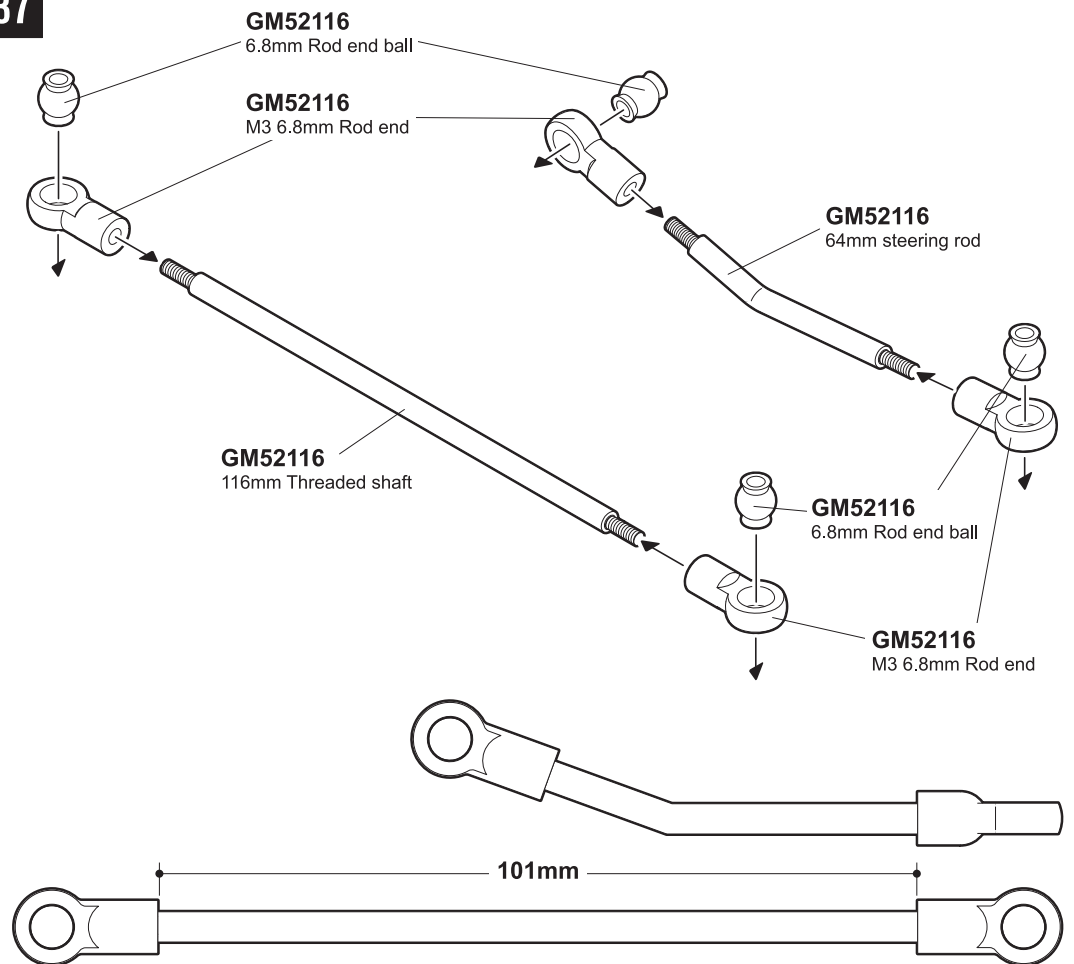
-  M3 Nylon lock nut **x4**
-  3X12mm Round head screw **x4**
-  3mm Washer **x4**



# STEERING LINKAGE

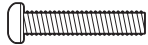
37

-  **GM52116**  
M3 6.8mm Rod end **x4**
-  **GM52116**  
6.8mm Rod end ball **x4**



# STEERING LINKAGE

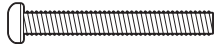
38



3X16mm Round head screw x1



3X20mm Round head screw x1



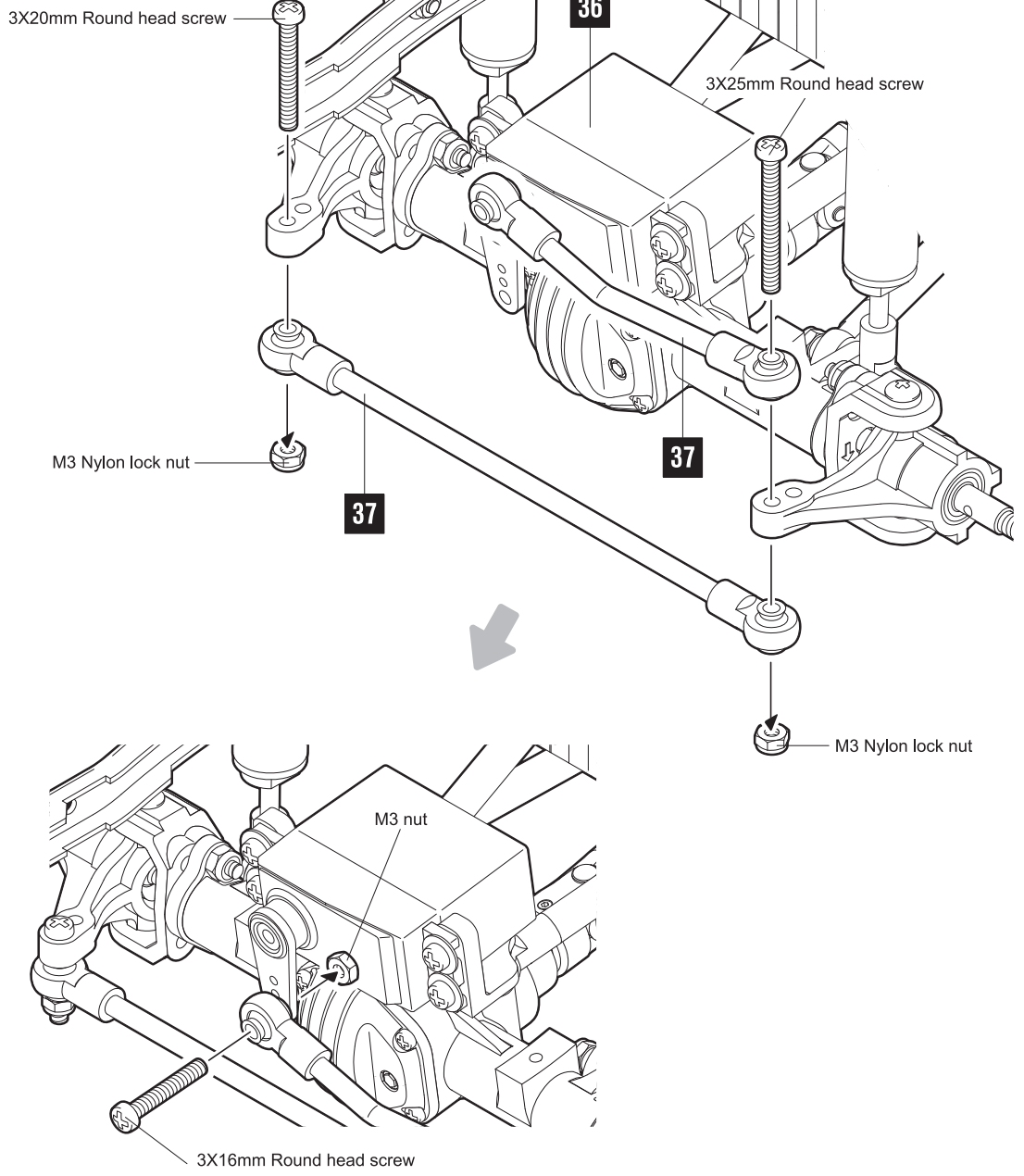
3X25mm Round head screw x1



M3 Nylon lock nut x2



M3 nut x1

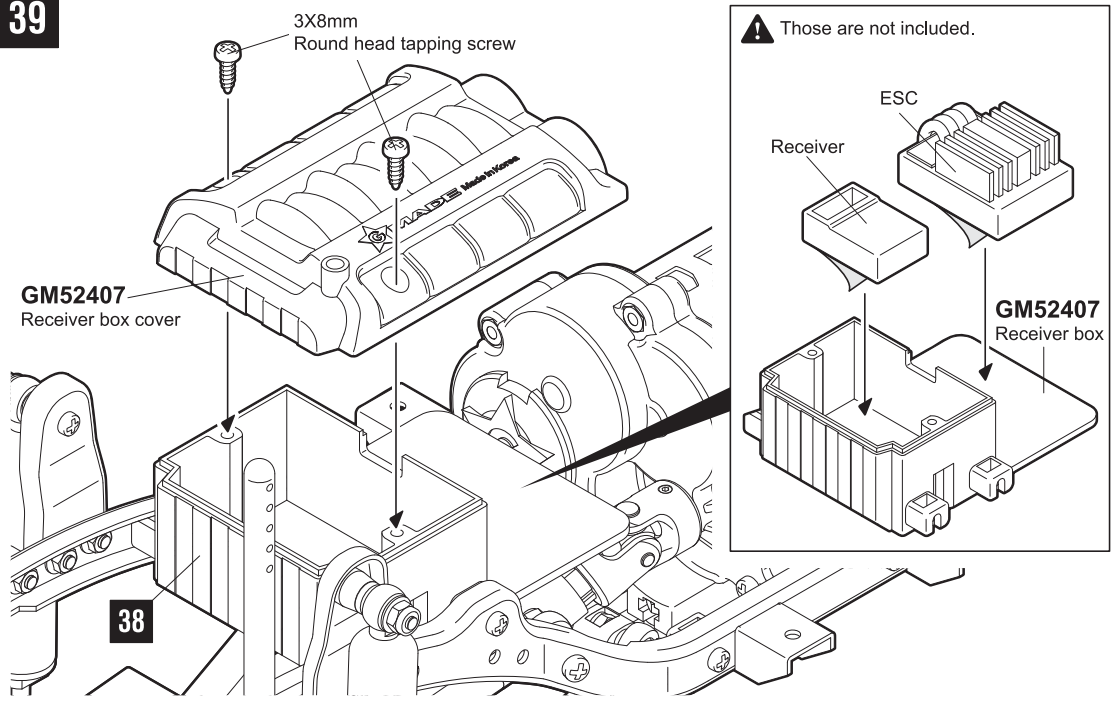


# RECEIVER BOX

39



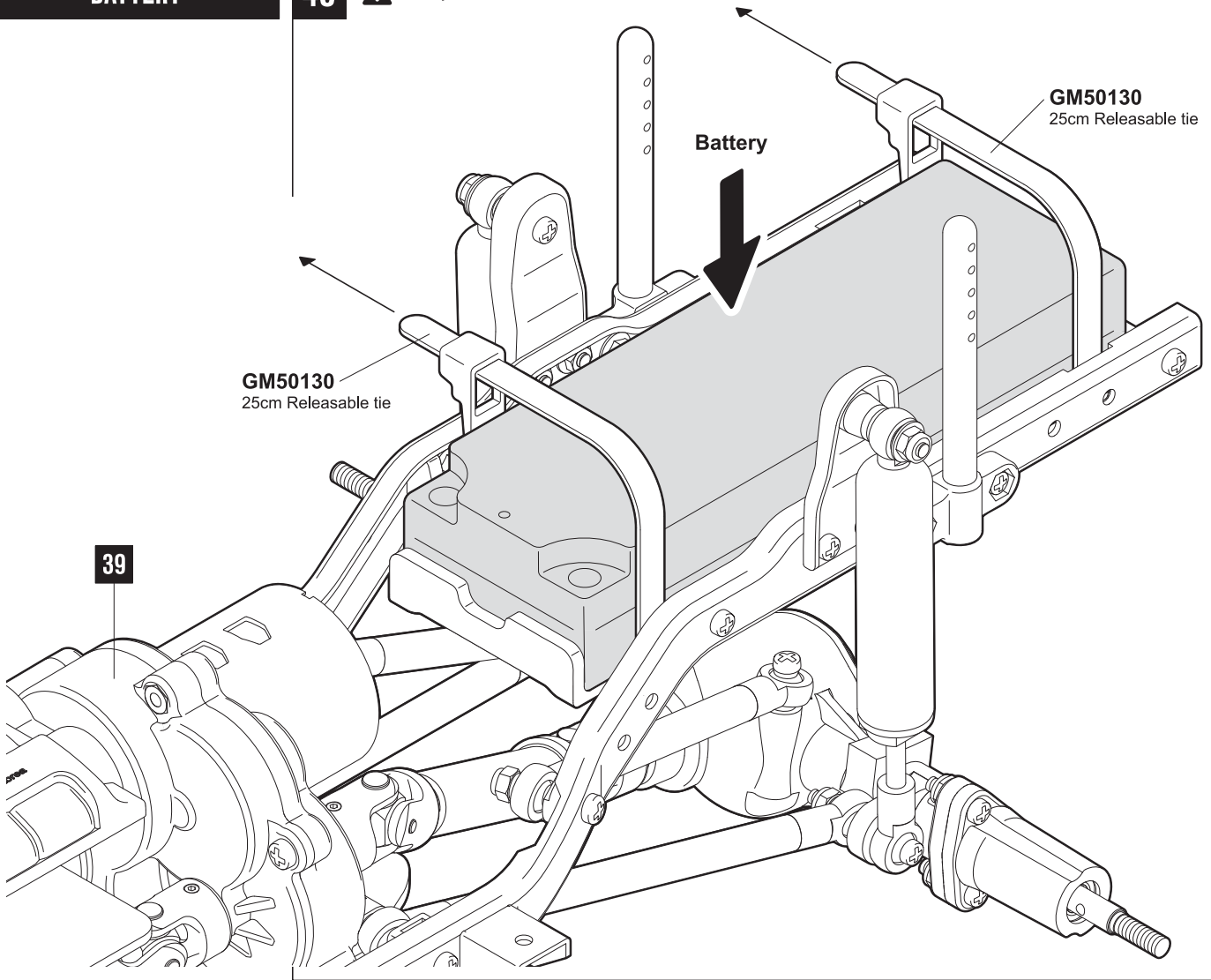
3X8mm Round head tapping screw x2



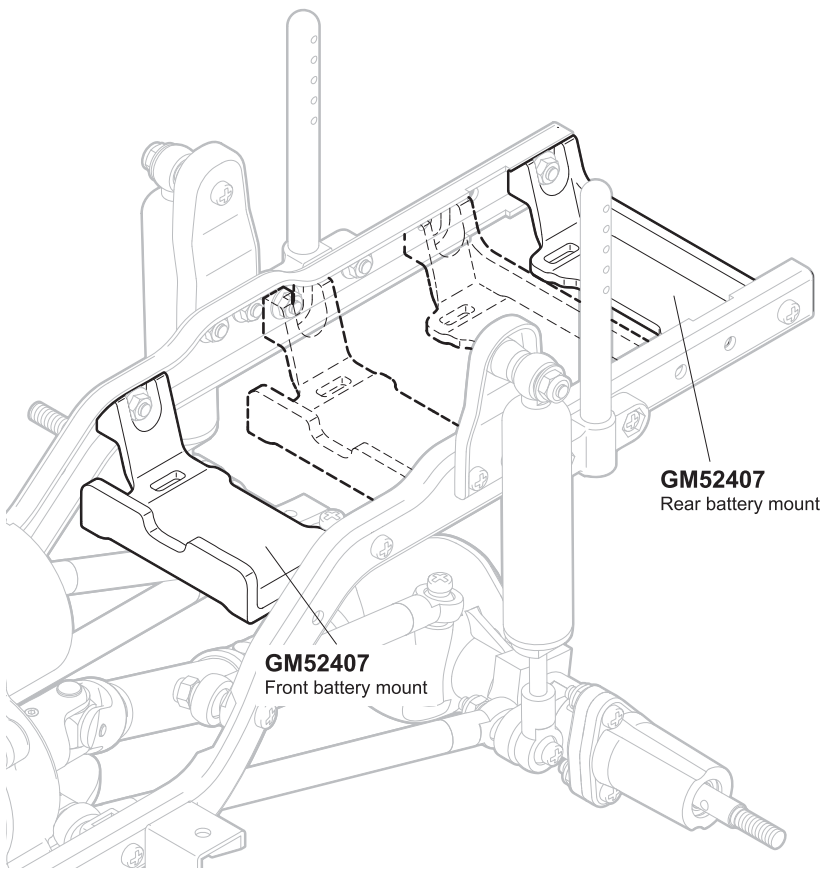
# BATTERY

40

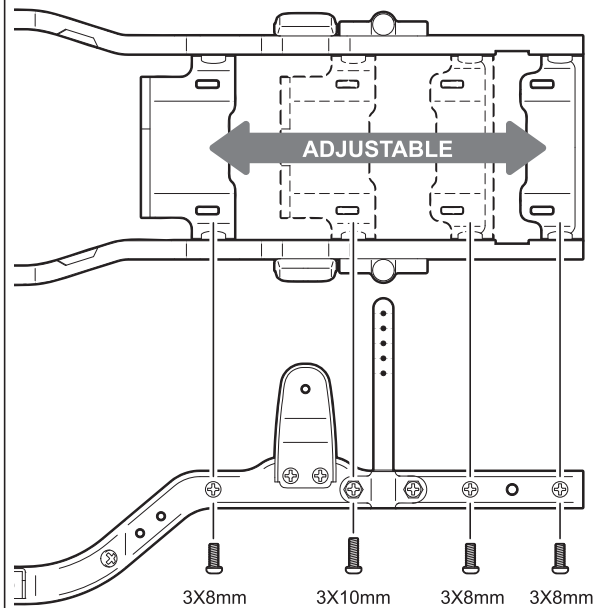
⚠ Battery is not included.



## ADJUSTABLE BATTERY PLATE SETTINGS



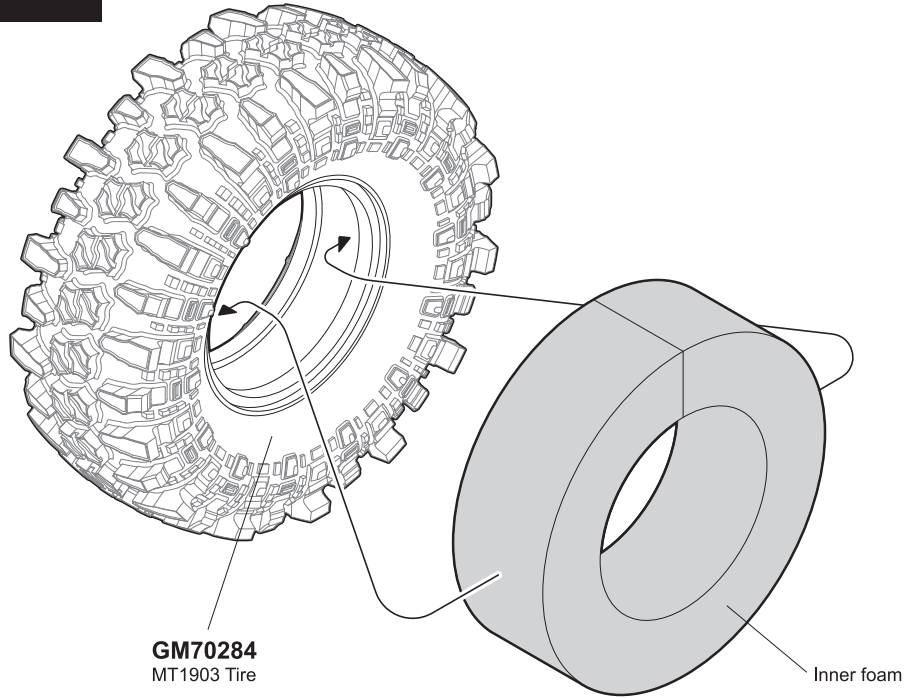
Battery plate can be placed in each marked holes.



3X10mm bolts should be used when adjusting battery plate & body post together in same position.

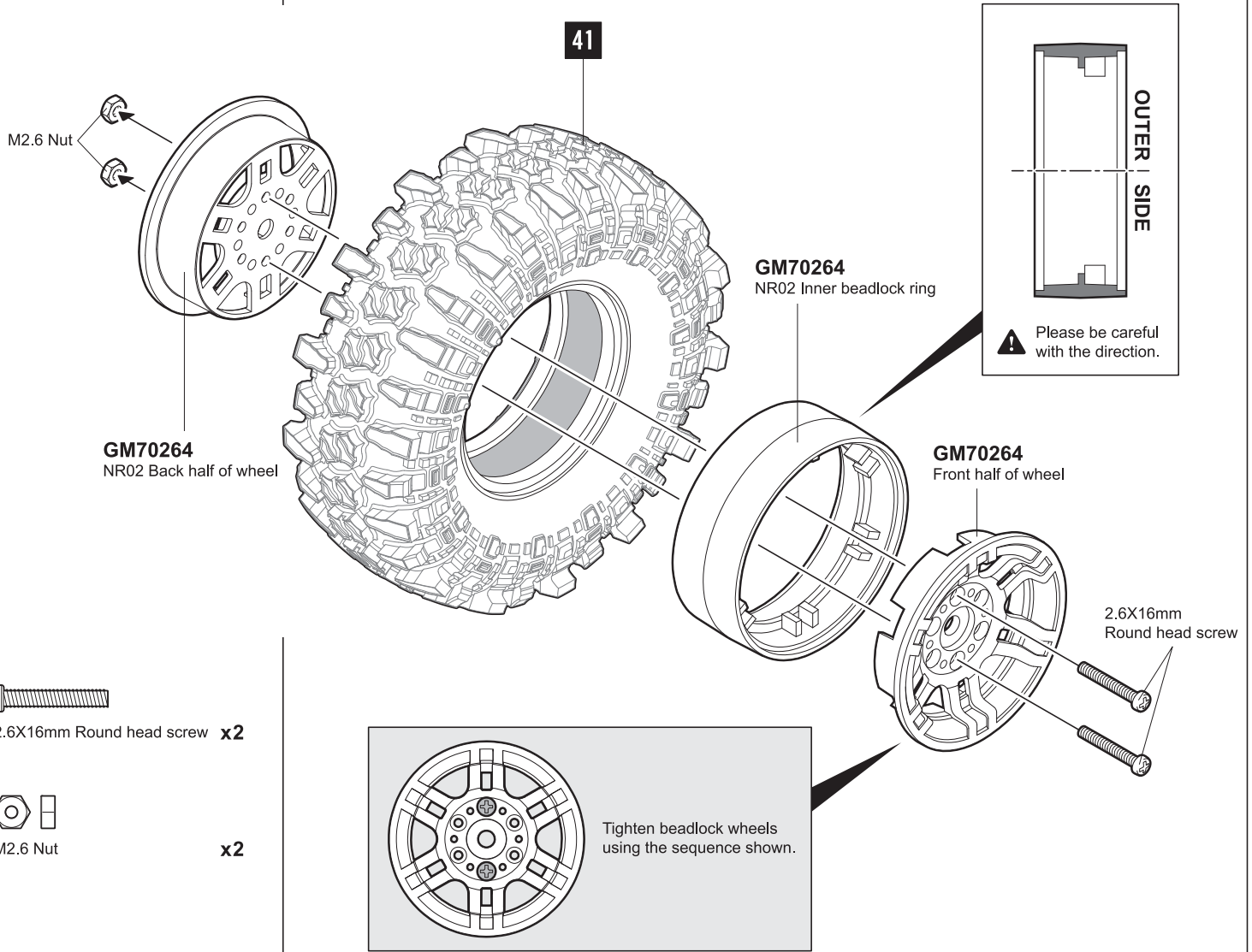
41

⚠ MAKE X 4



42

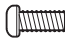
⚠ MAKE X 4



2.6X16mm Round head screw x2

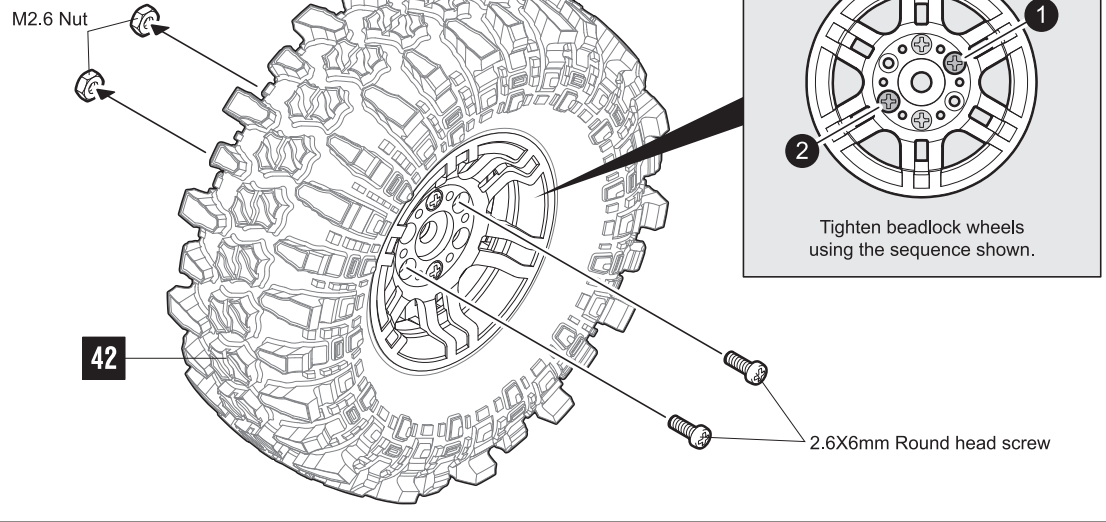
M2.6 Nut x2


# WHEELS AND TIRES

 2.6X6mm Round head screw **x8**

 M2.6 Nut **x8**

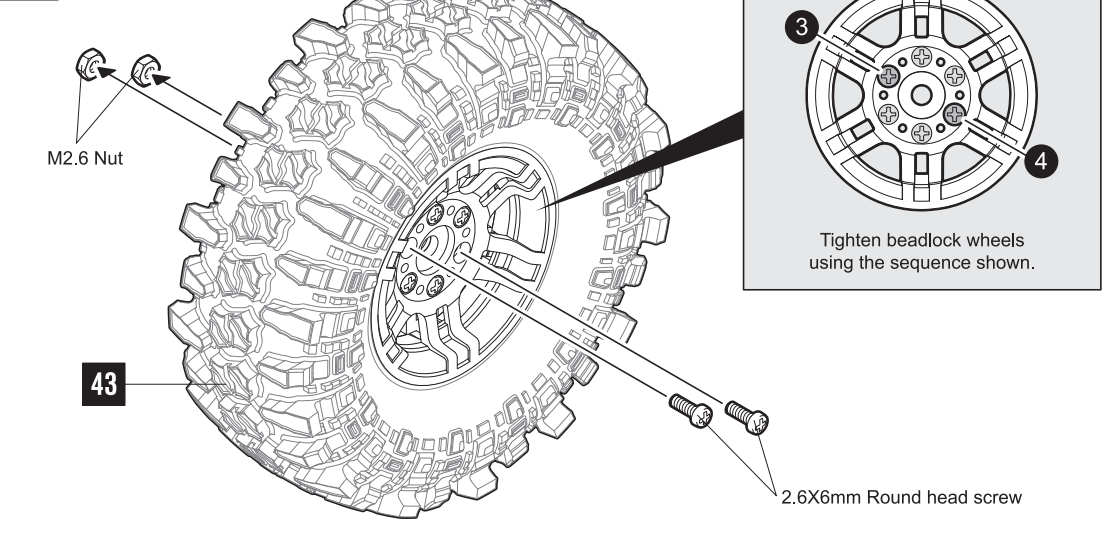
## 43 MAKE X 4

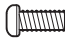


 2.6X6mm Round head screw **x8**

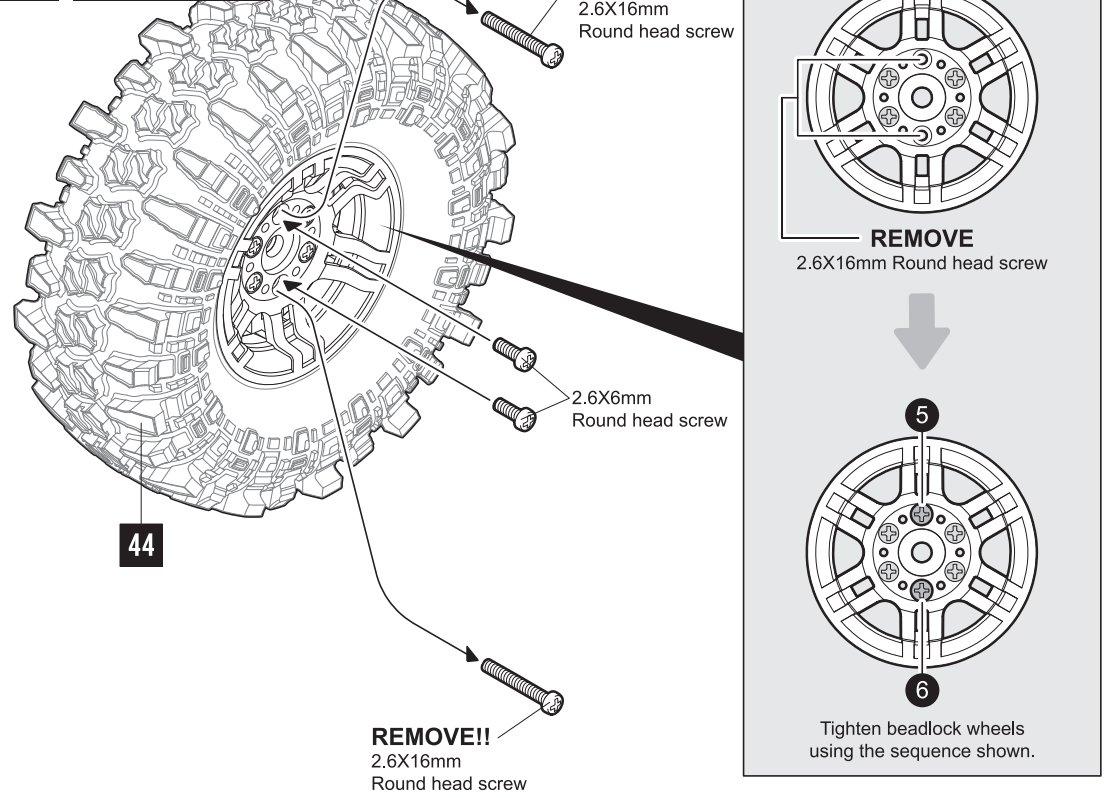
 M2.6 Nut **x8**

## 44 MAKE X 4

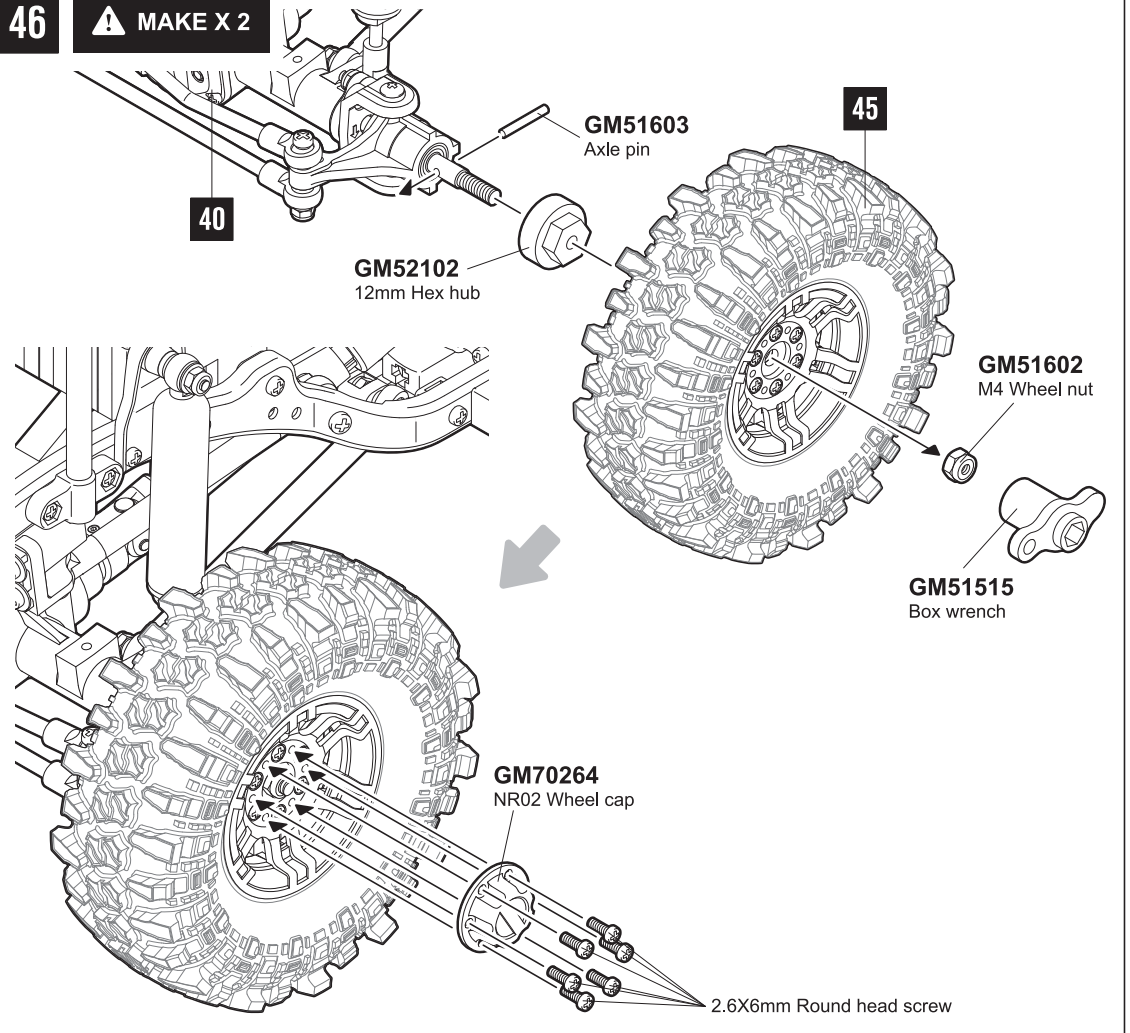
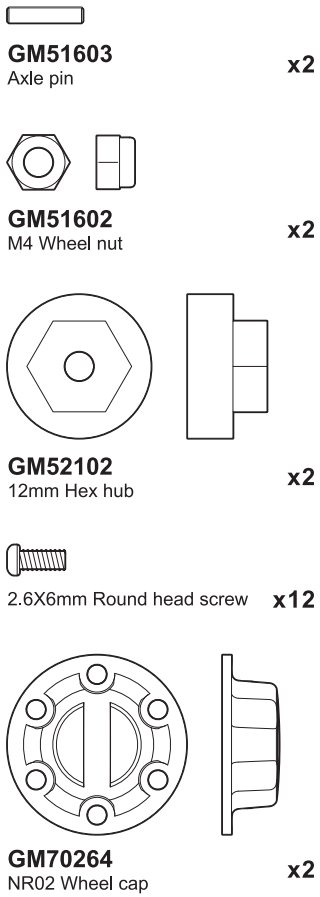


 2.6X6mm Round head screw **x8**

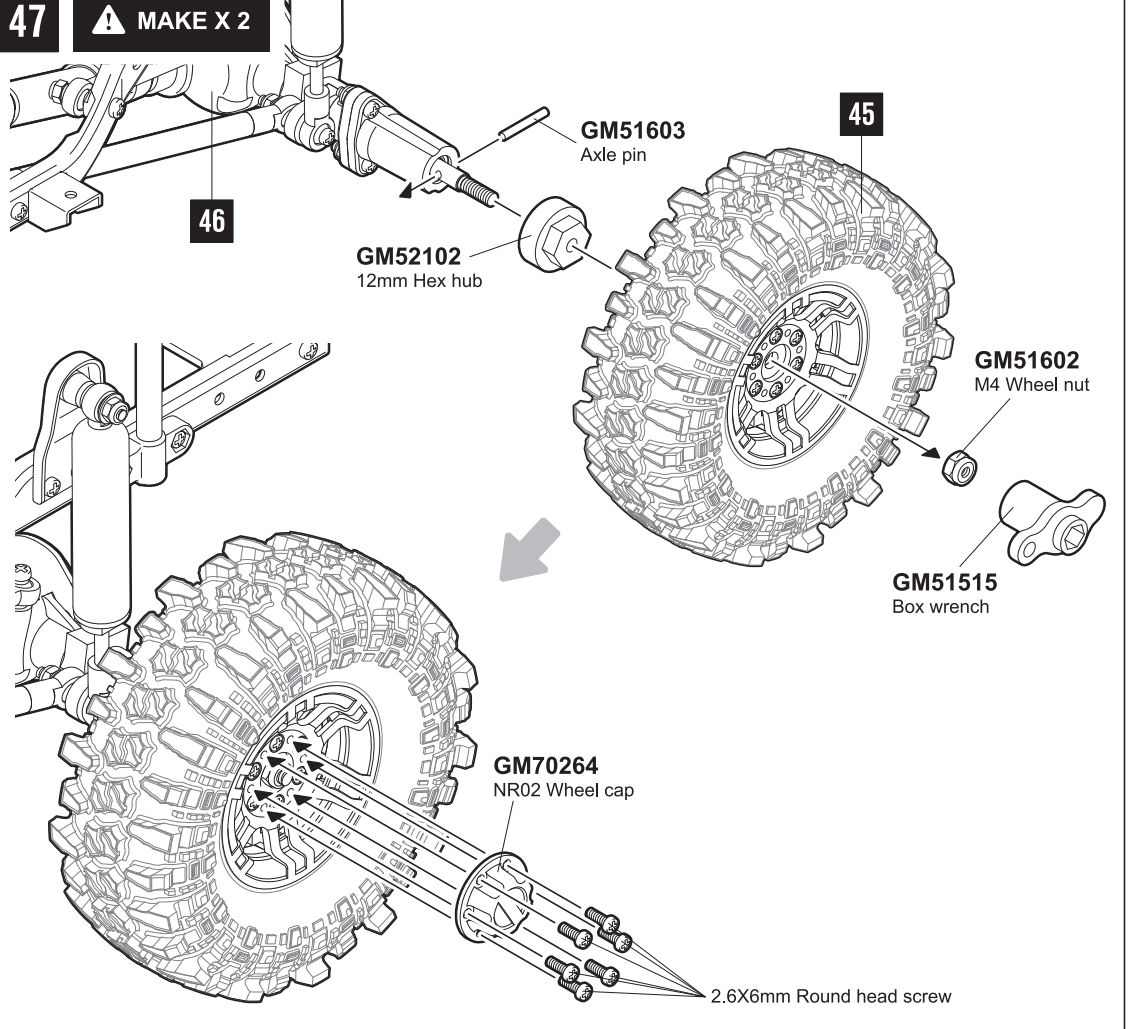
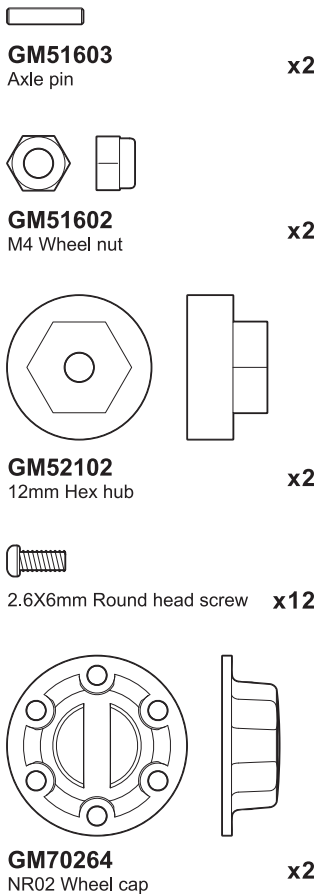
## 45 MAKE X 4

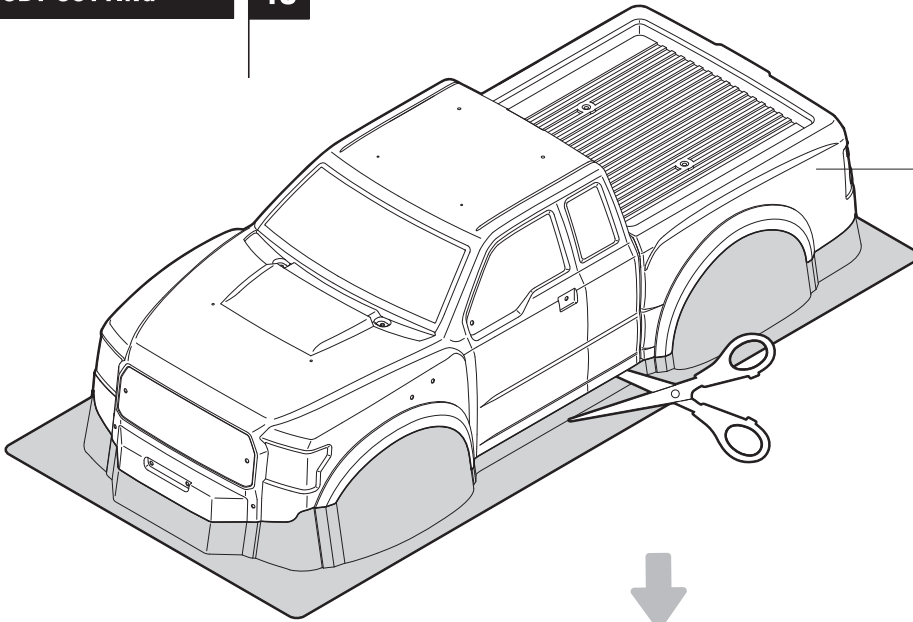


## WHEEL + FRONT AXLE

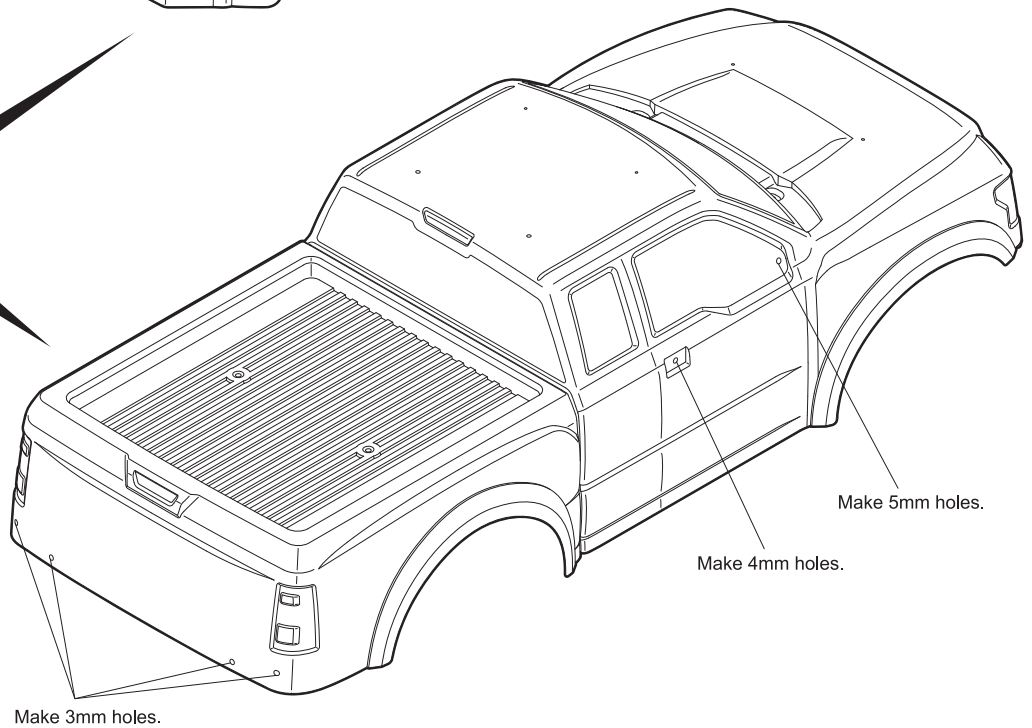
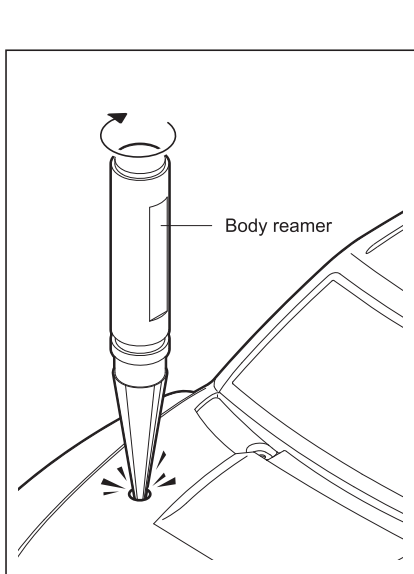
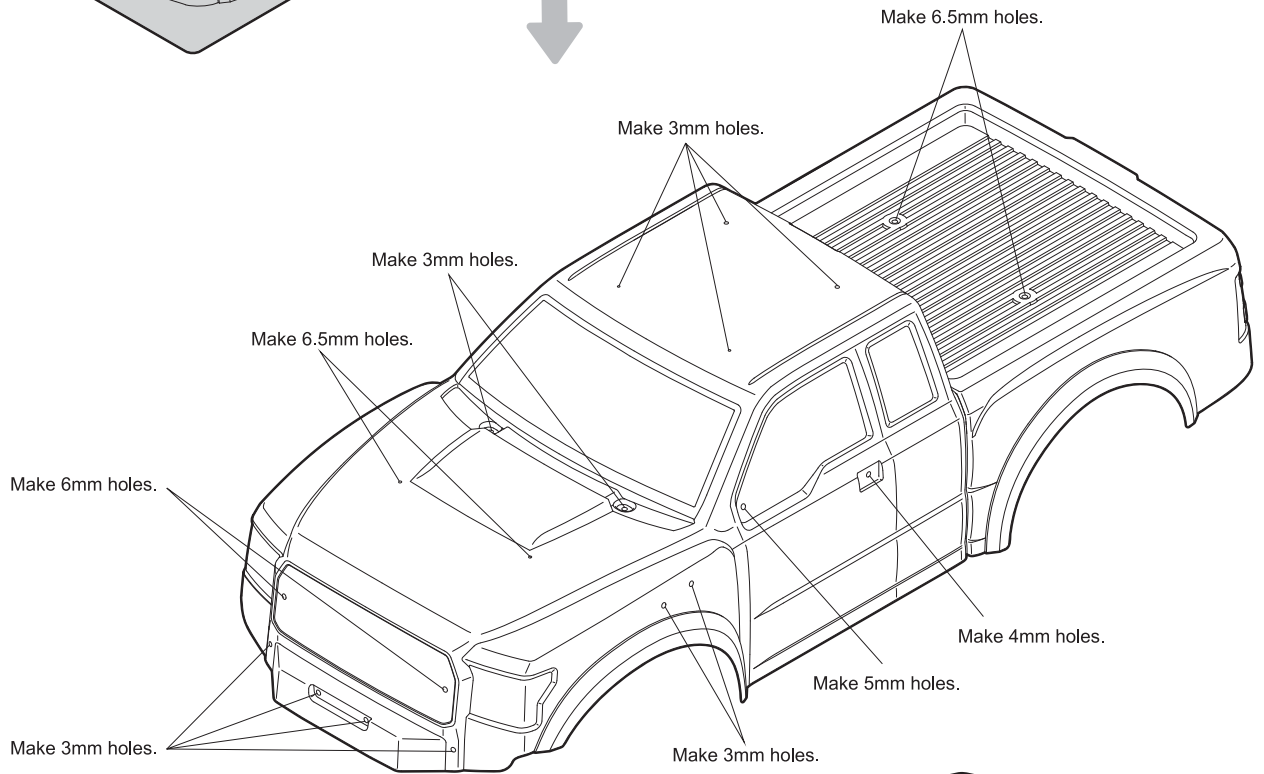


## WHEEL + REAR AXLE





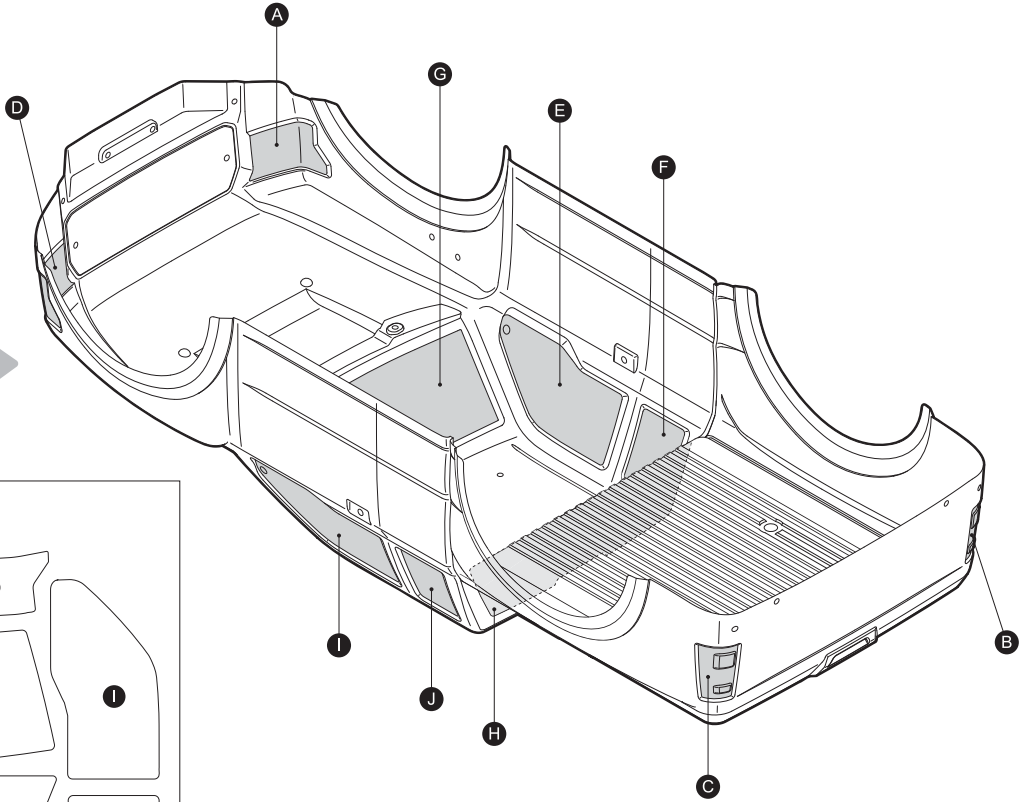
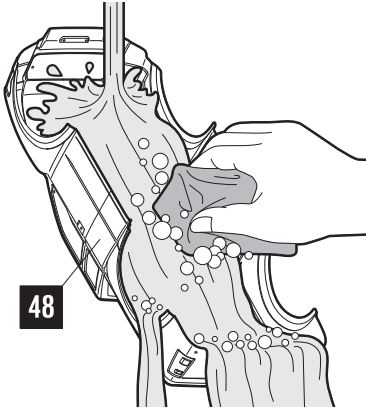
**GM40070**  
KOMODO lexan body



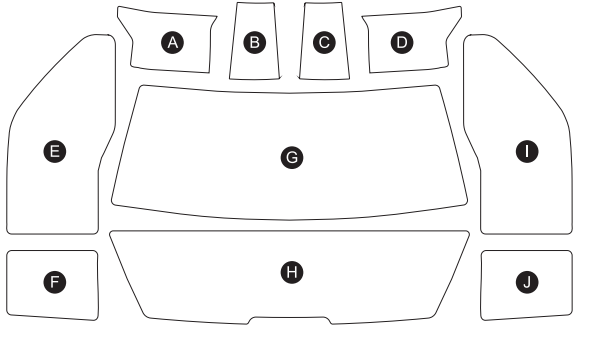


# BODY MASKING

49

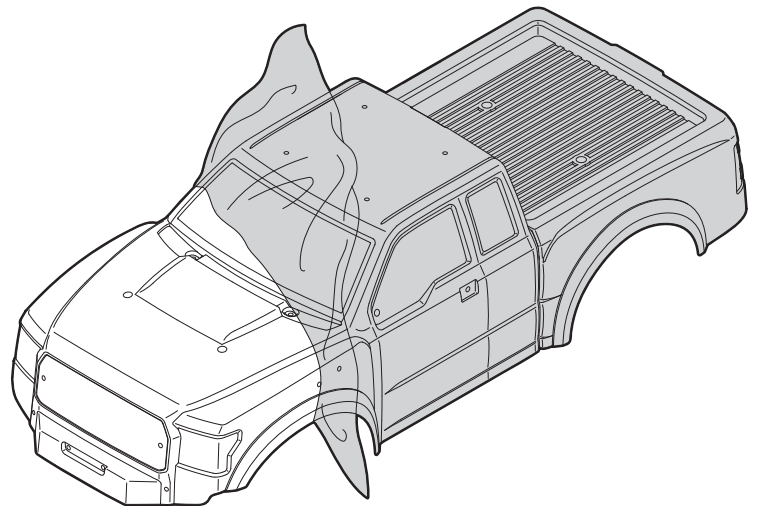
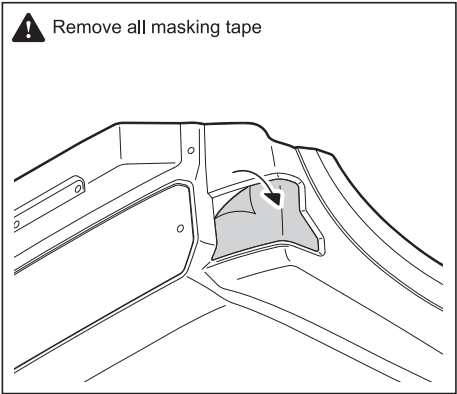
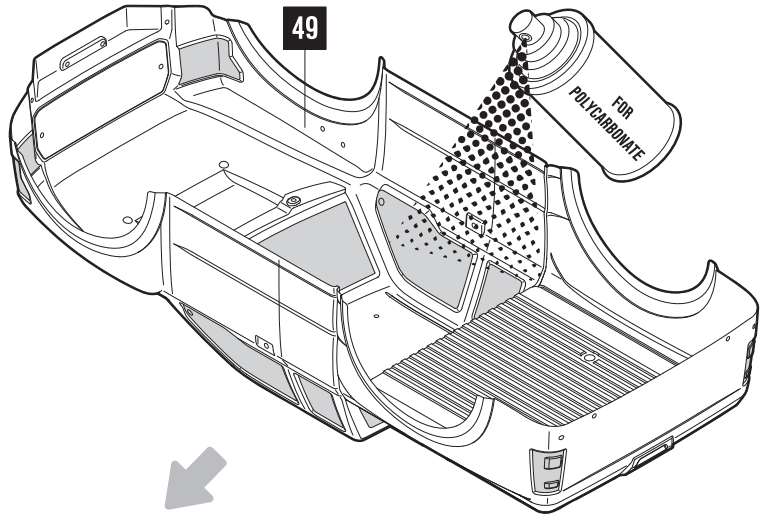


GM49063  
KOMODO masking tape



# BODY PAINTING

50



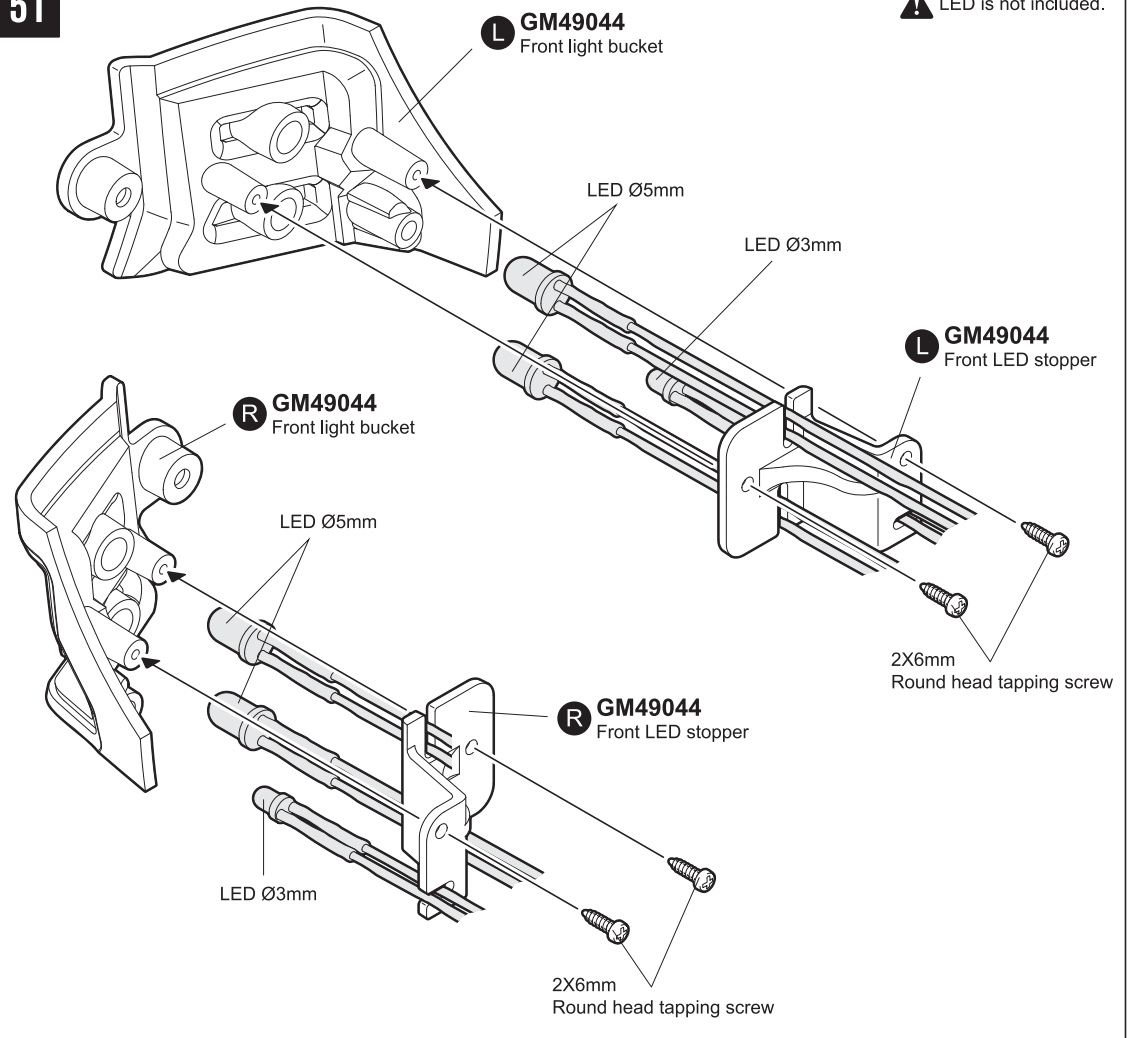
# FRONT LIGHT BUCKET



2X6mm  
Round head tapping screw **x4**

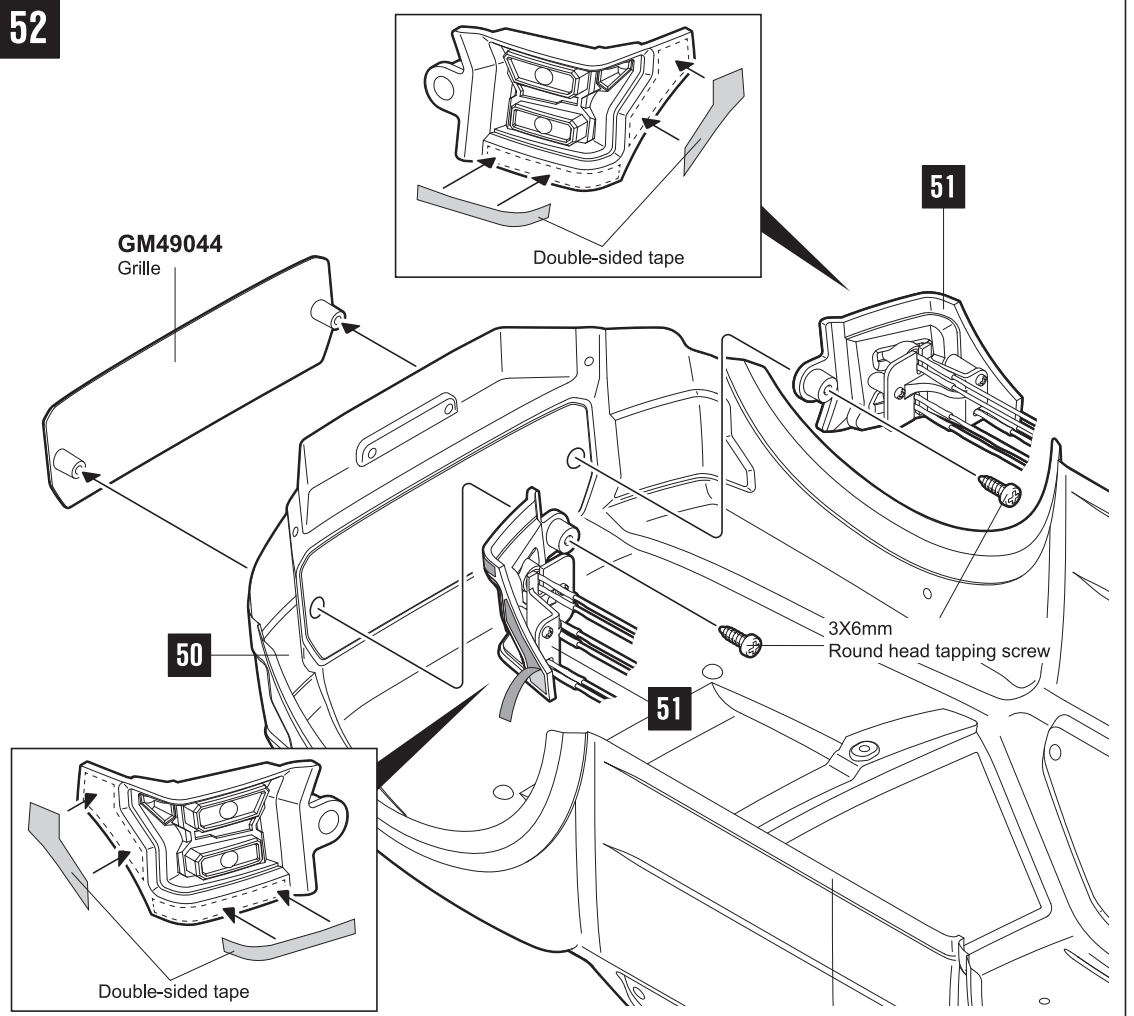
**51**

**!** LED is not included.



3X6mm  
Round head tapping screw **x2**

**52**



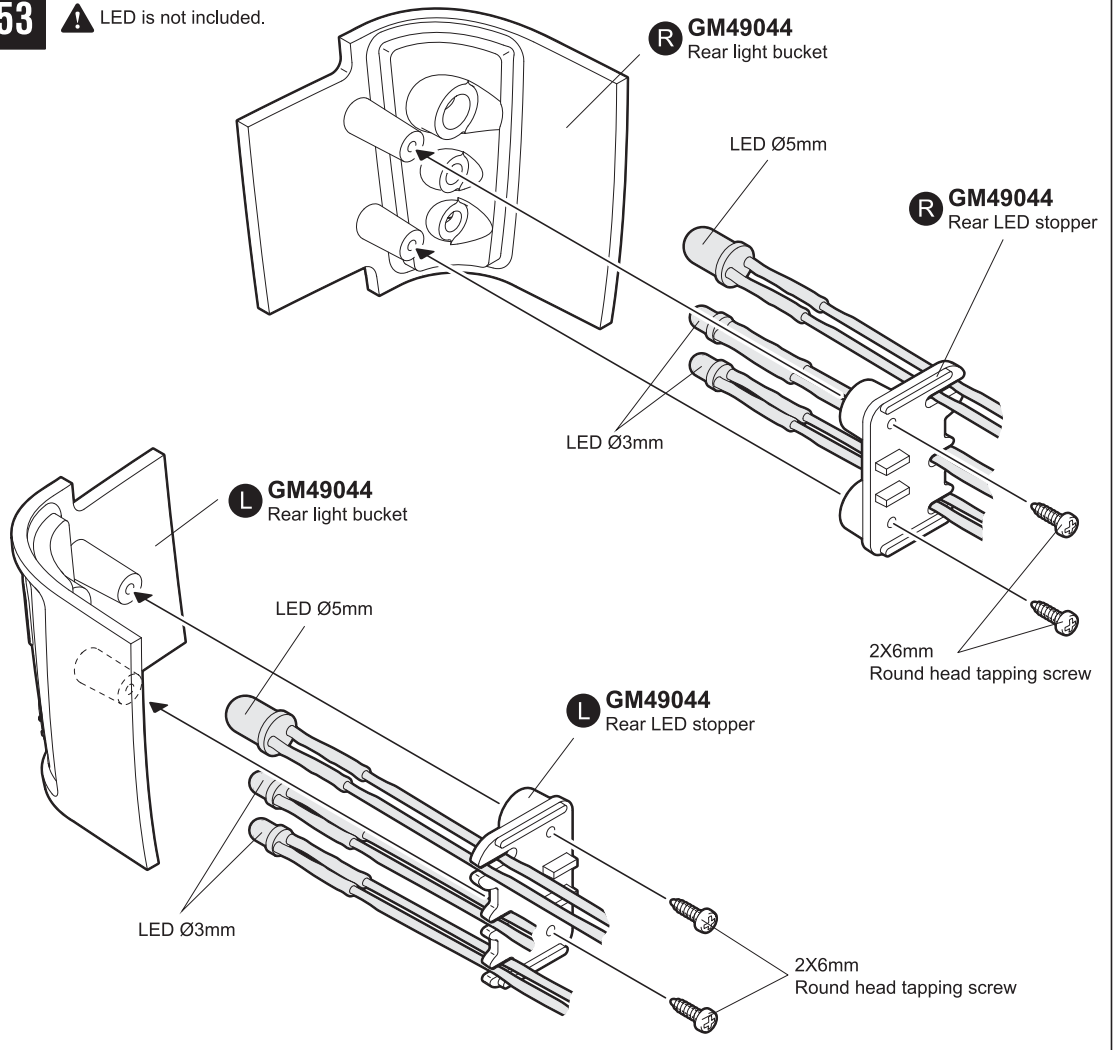
# REAR LIGHT BUCKET



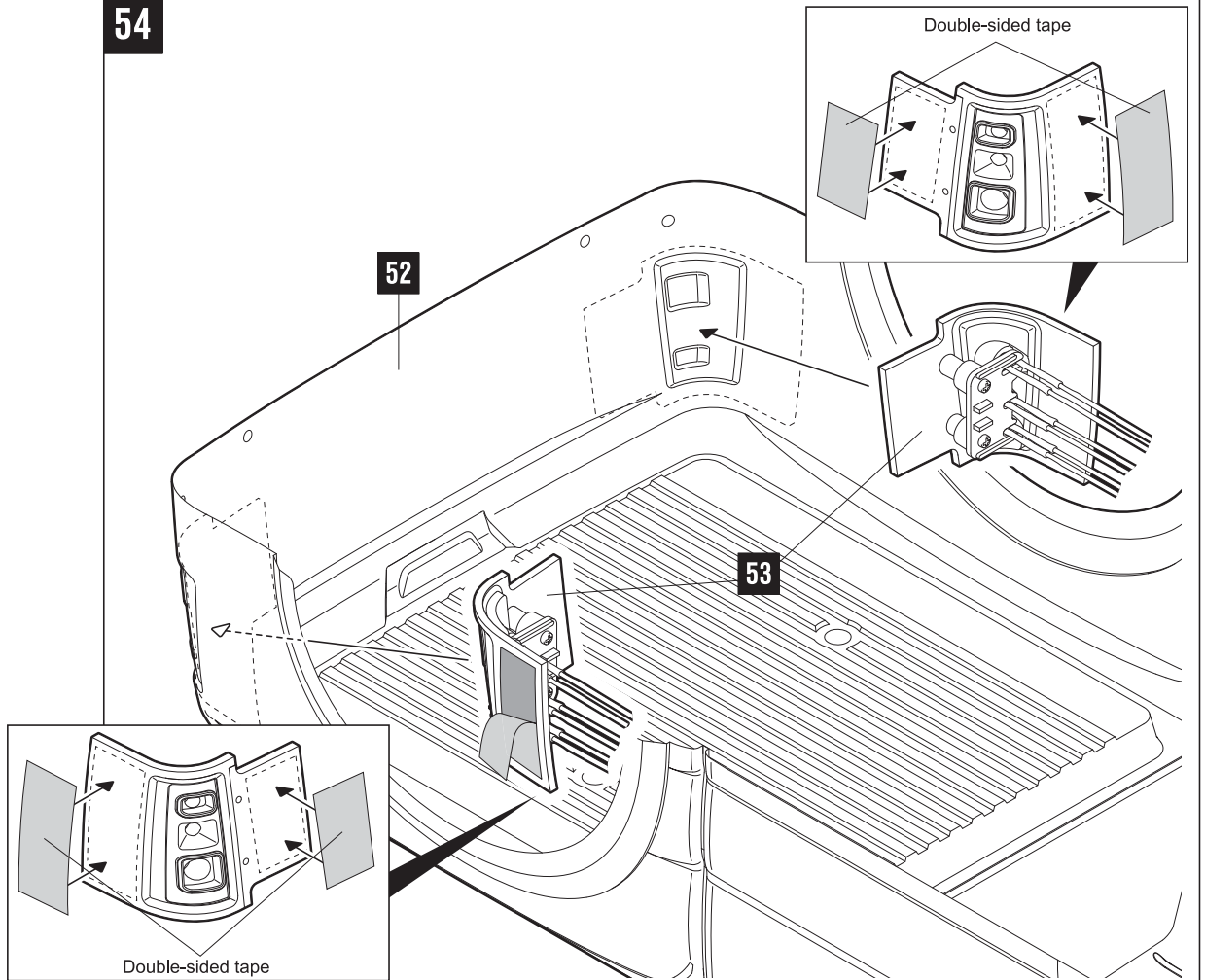
2X6mm  
Round head tapping screw **x4**

**53**

⚠ LED is not included.



**54**

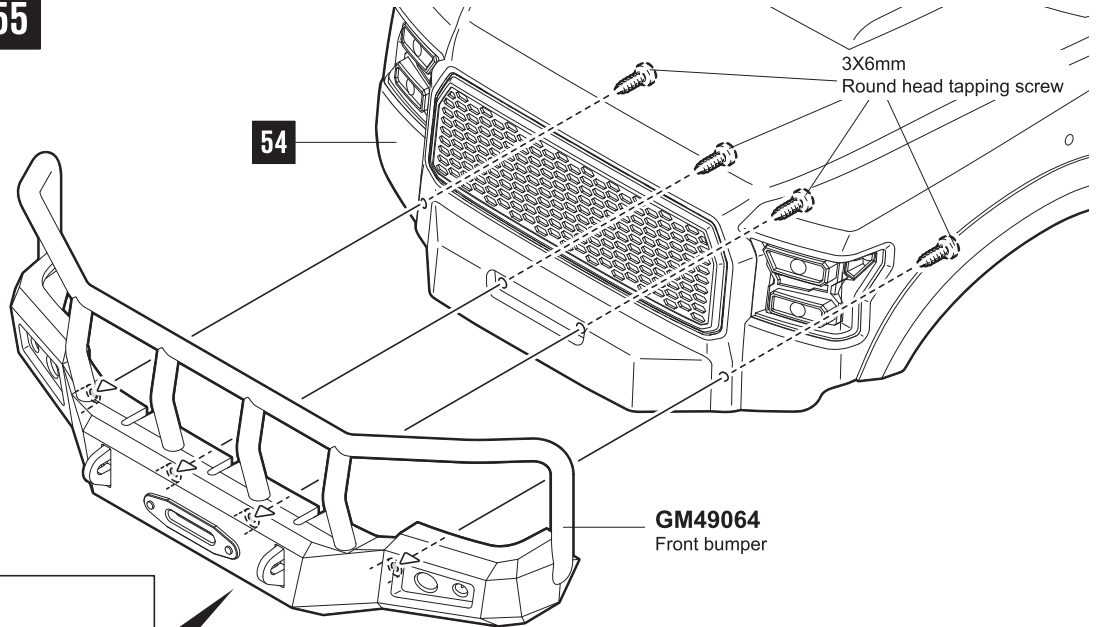


# BUMPER

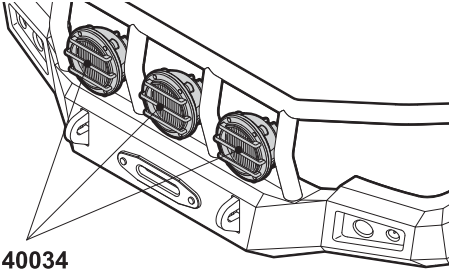
55



3X6mm Round head tapping screw x8

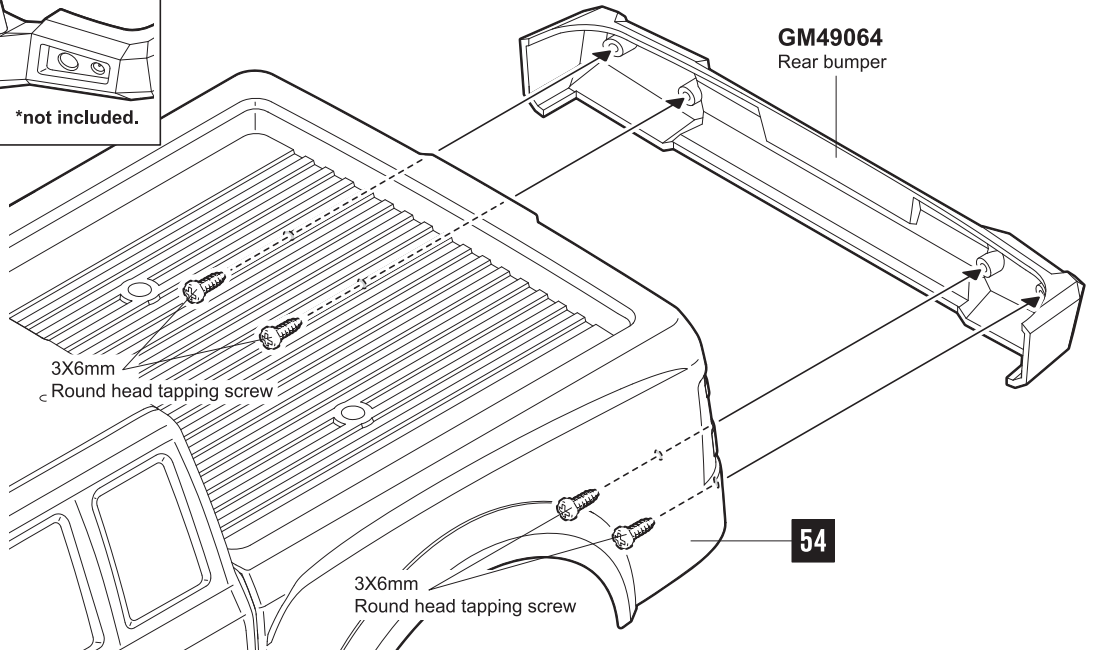


## OPTION PARTS



GM40034 Fog LED Light & Accessory Set

\*not included.

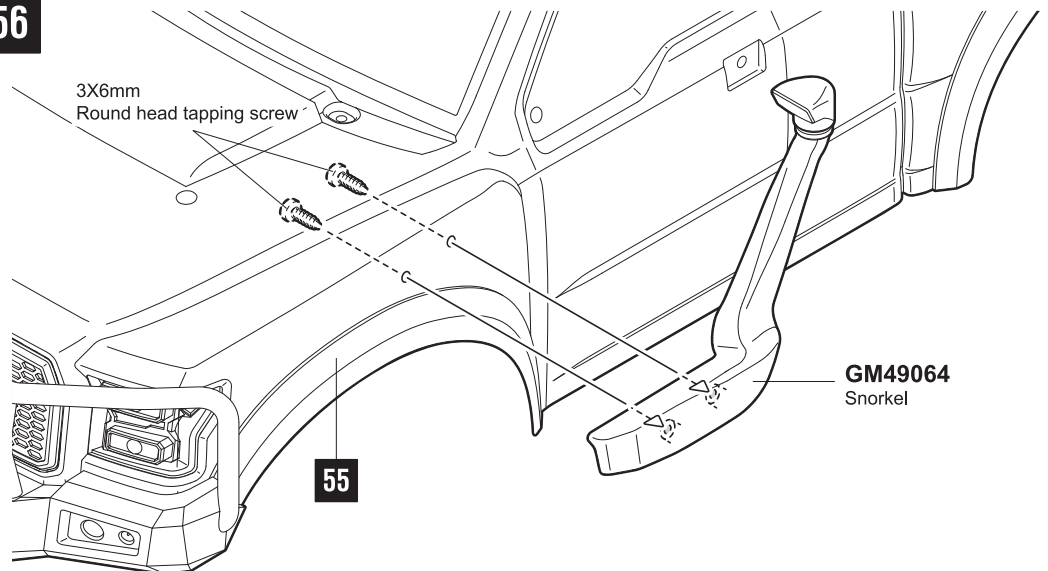


# SNORKEL

56



3X6mm Round head tapping screw x2



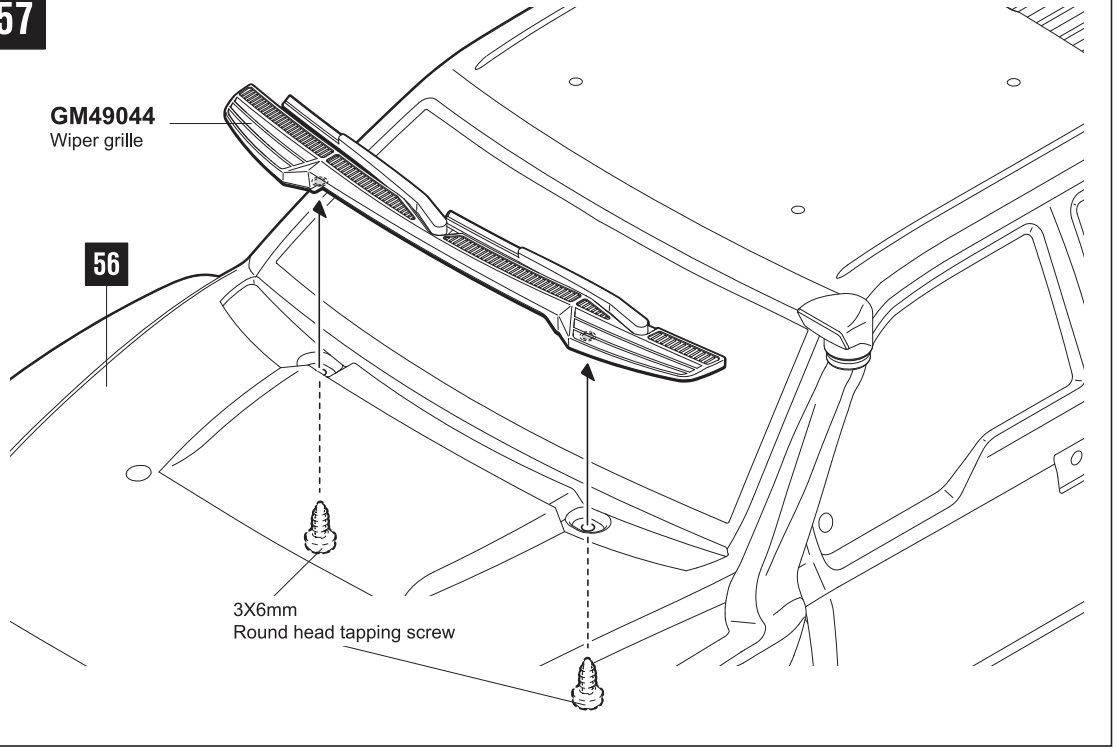
# WIPER GRILLE

57



3X6mm  
Round head tapping screw

x2



# MIRROR & DOOR HANDLE

58



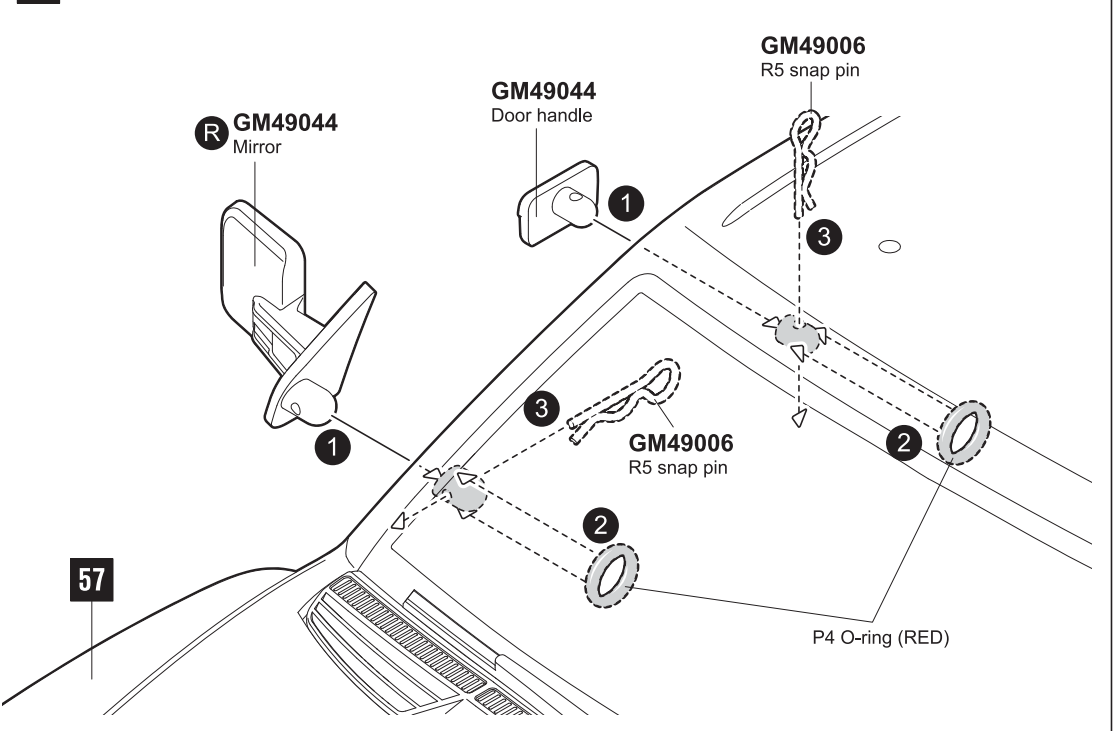
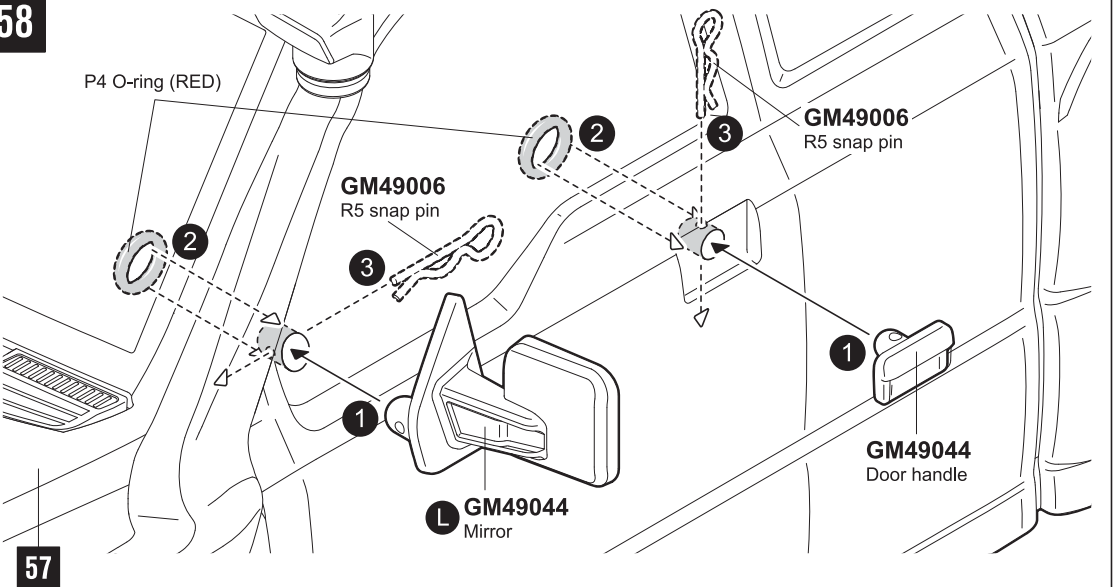
GM49006  
R5 snap pin

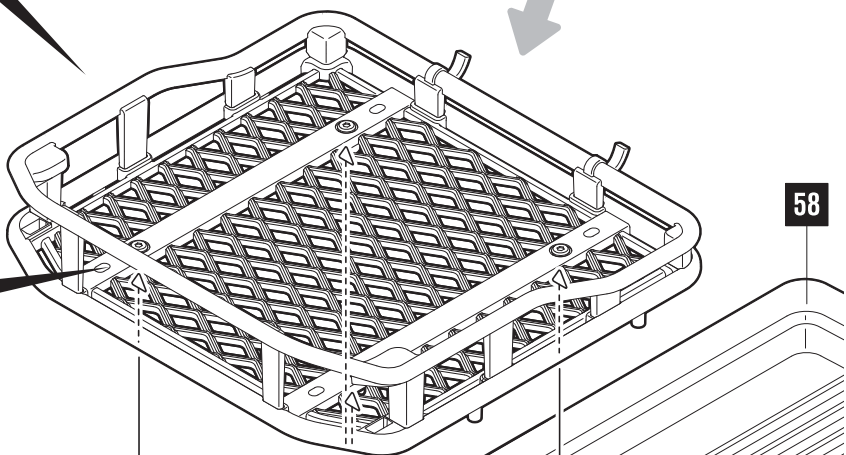
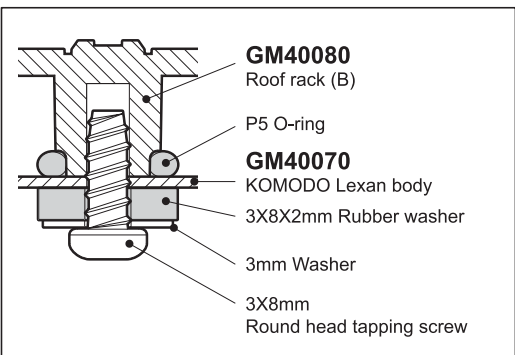
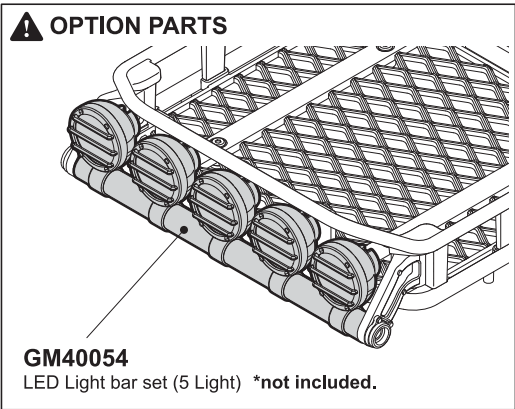
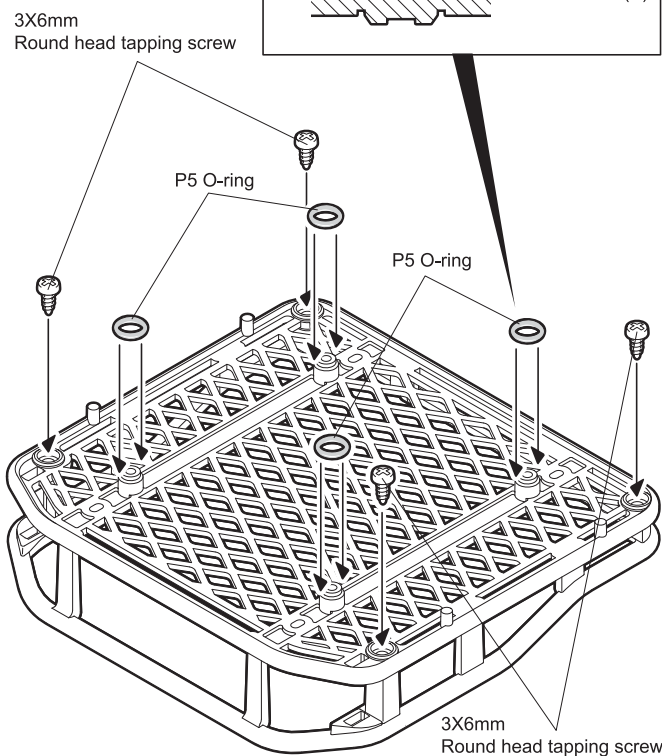
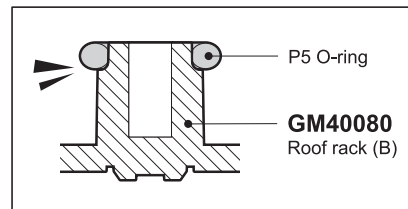
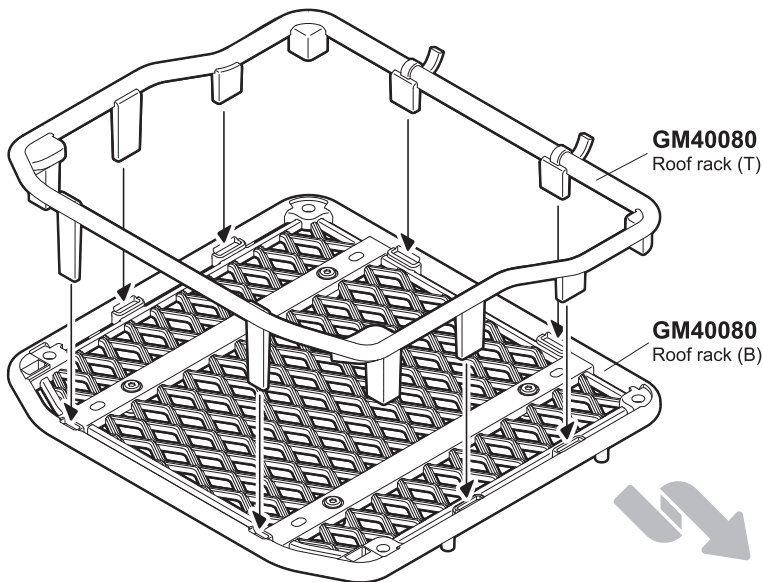
x4





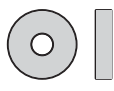


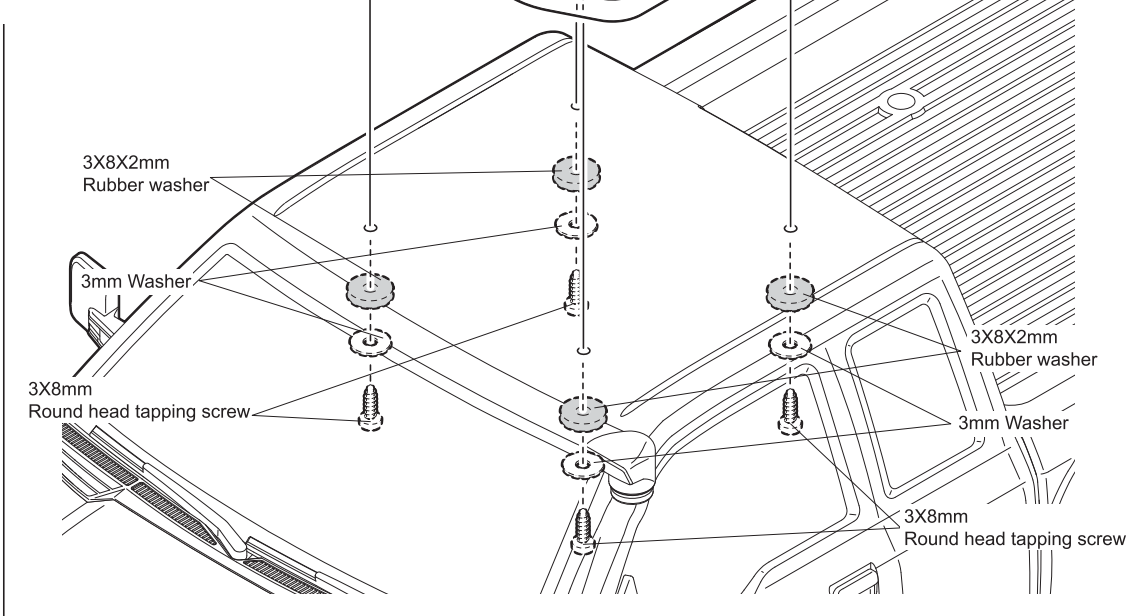
P4 O-ring (RED)

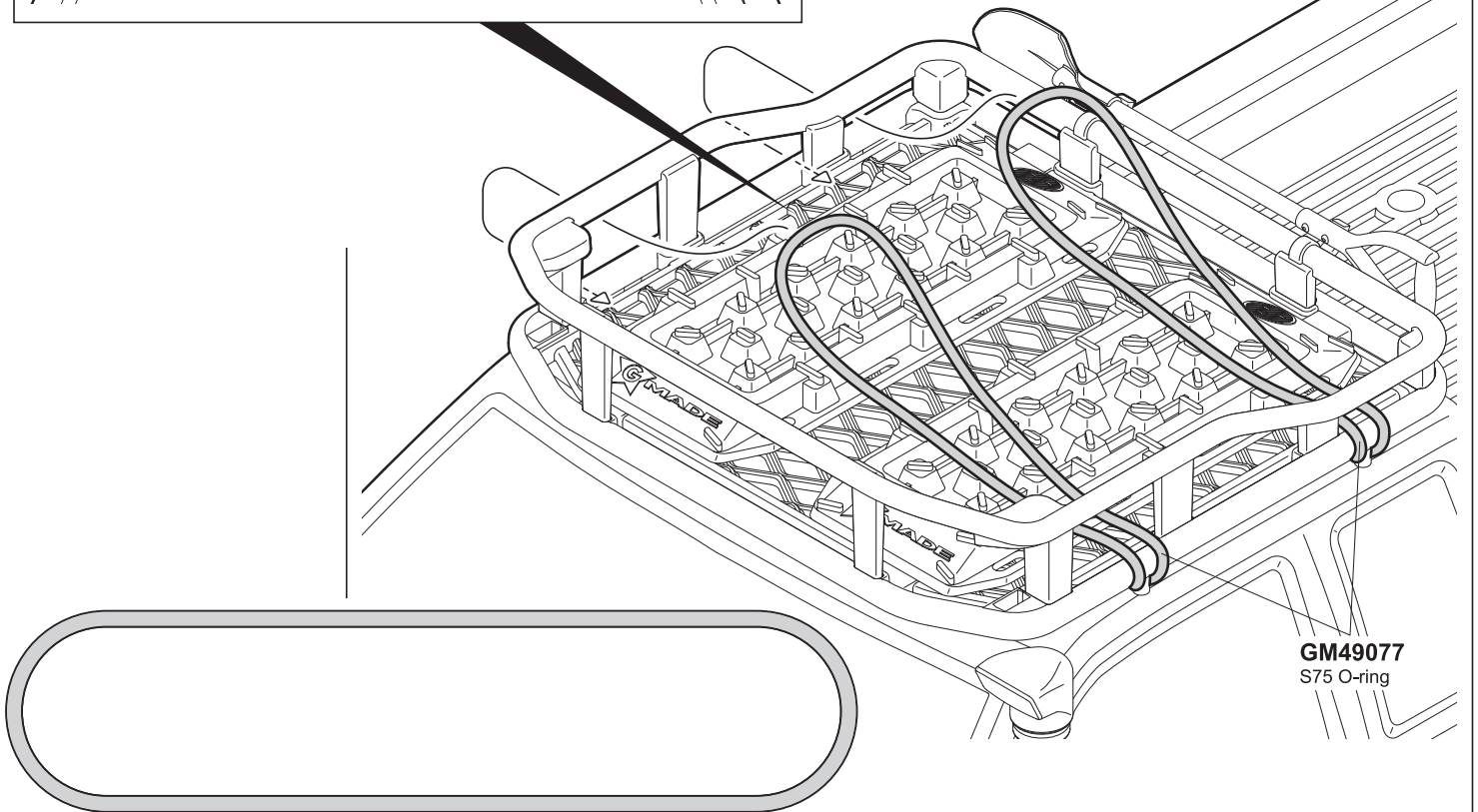
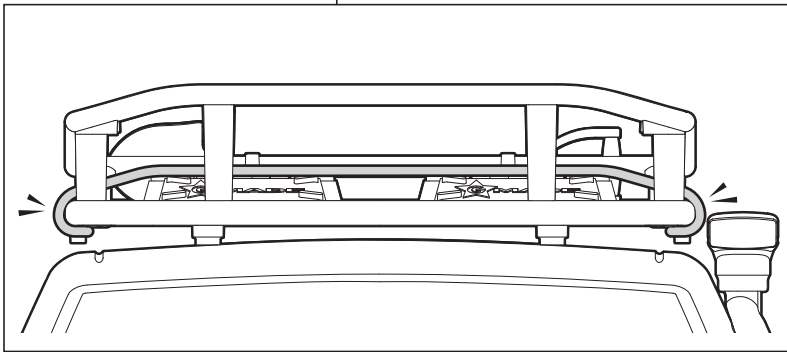
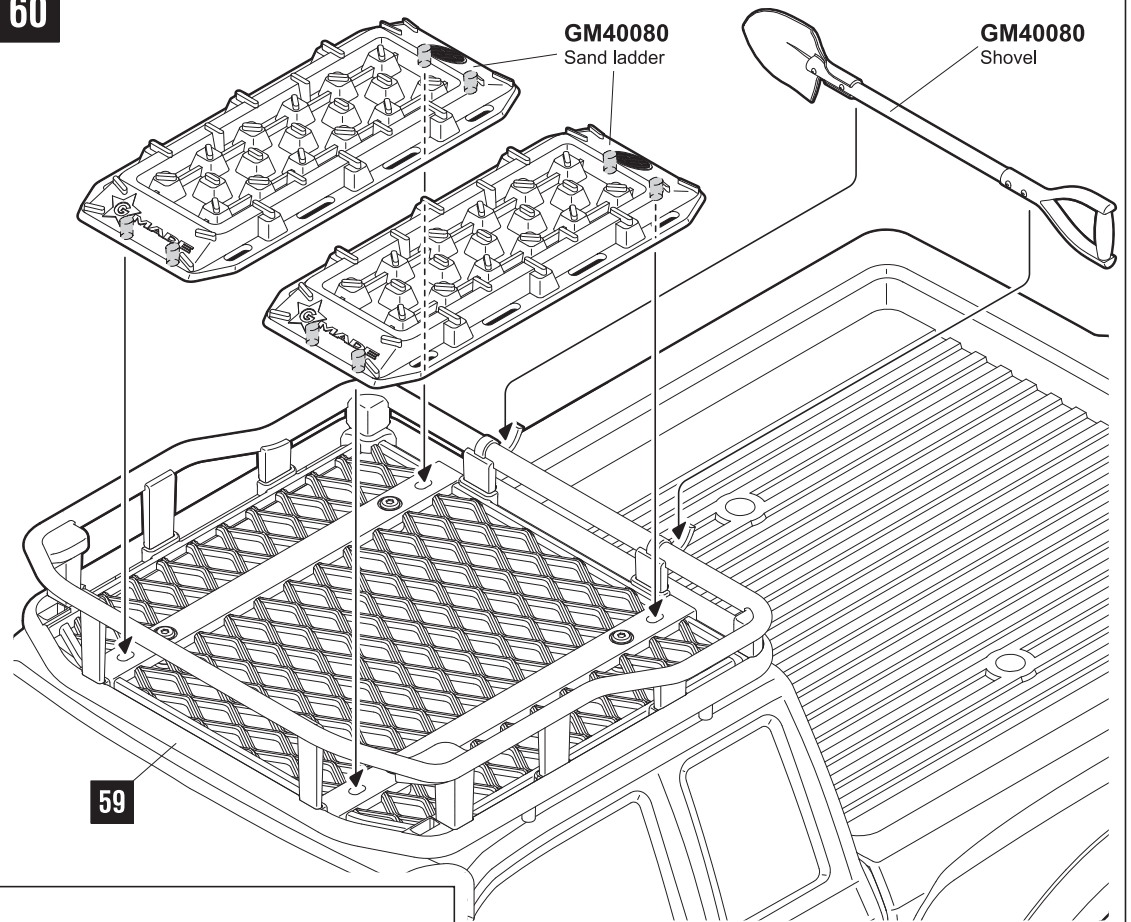
x4





-  3X8mm Round head tapping screw **x4**
-  3X6mm Round head tapping screw **x4**
-  P5 O-ring **x4**
-  3mm Washer **x4**
-  3X8X2mm Rubber washer **x4**





GM49077  
S75 O-ring

x2

# FRONT BODY POST

## 61



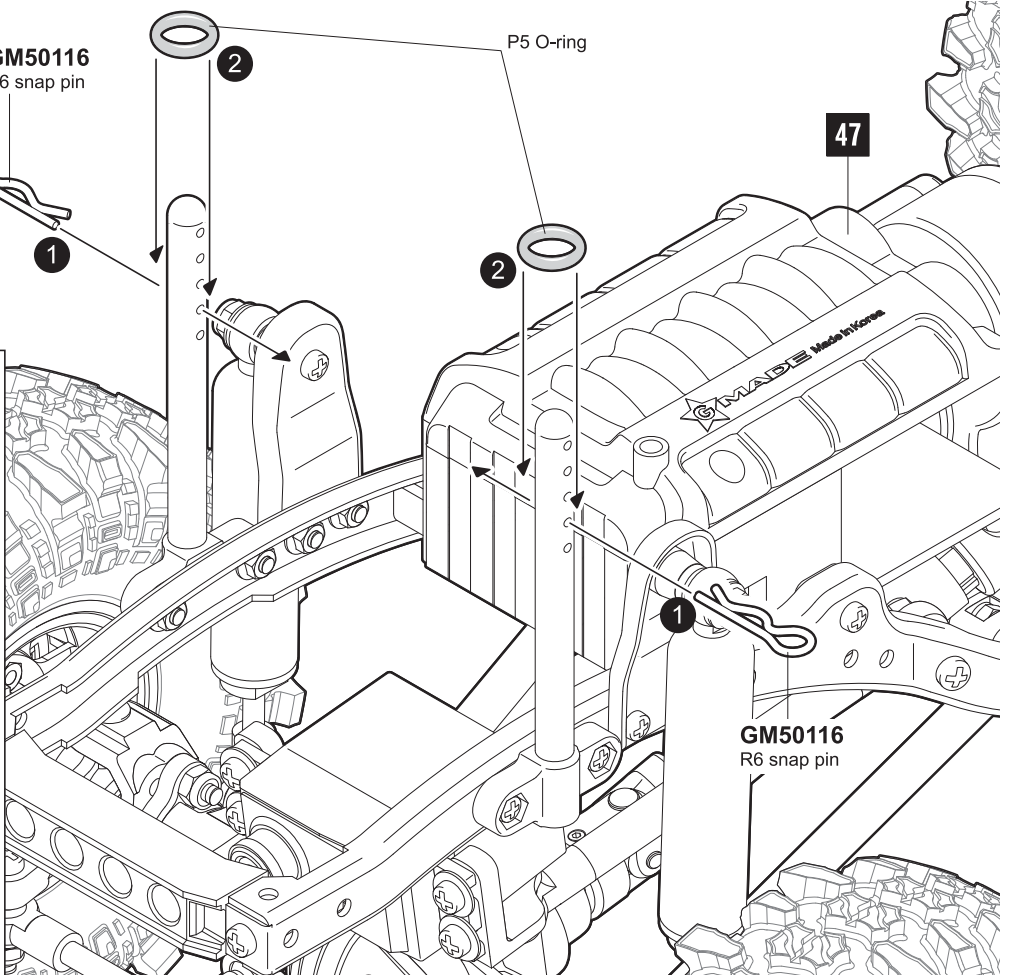
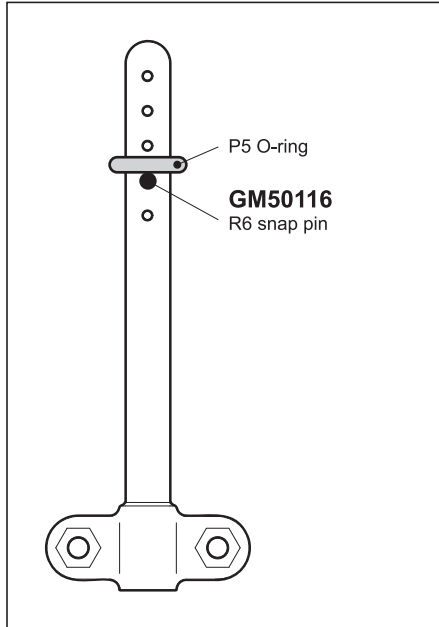
P5 O-ring

x2



**GM50116**  
R6 snap pin

x2



# REAR BODY POST

## 62



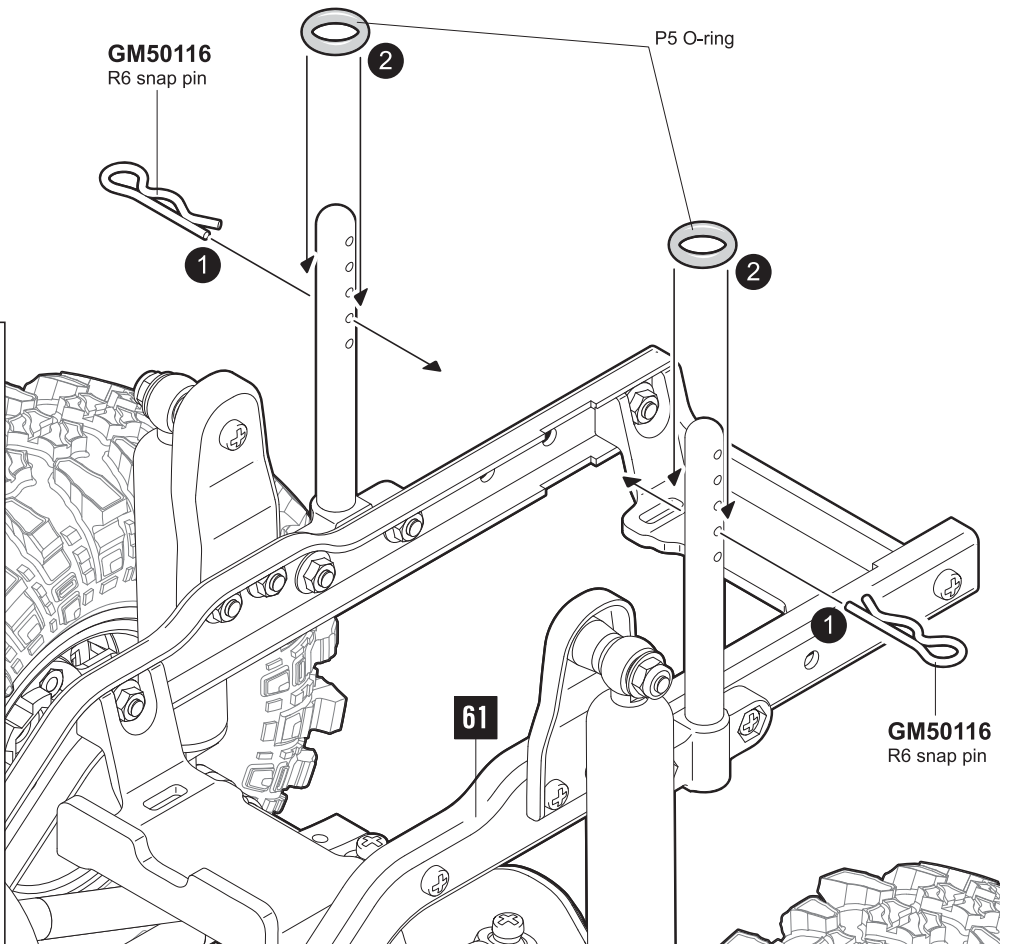
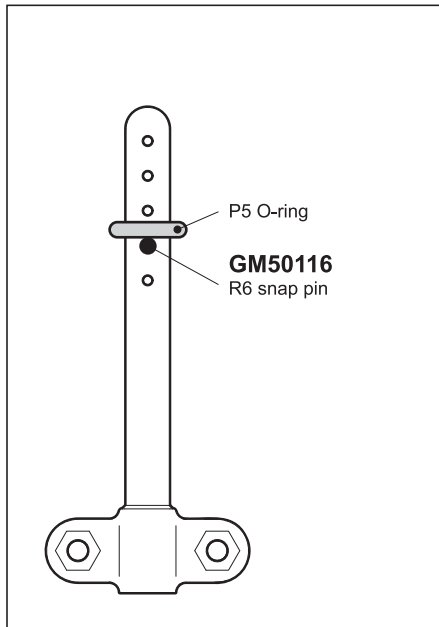
P5 O-ring

x2



**GM50116**  
R6 snap pin

x2







GM50116  
R6 snap pin

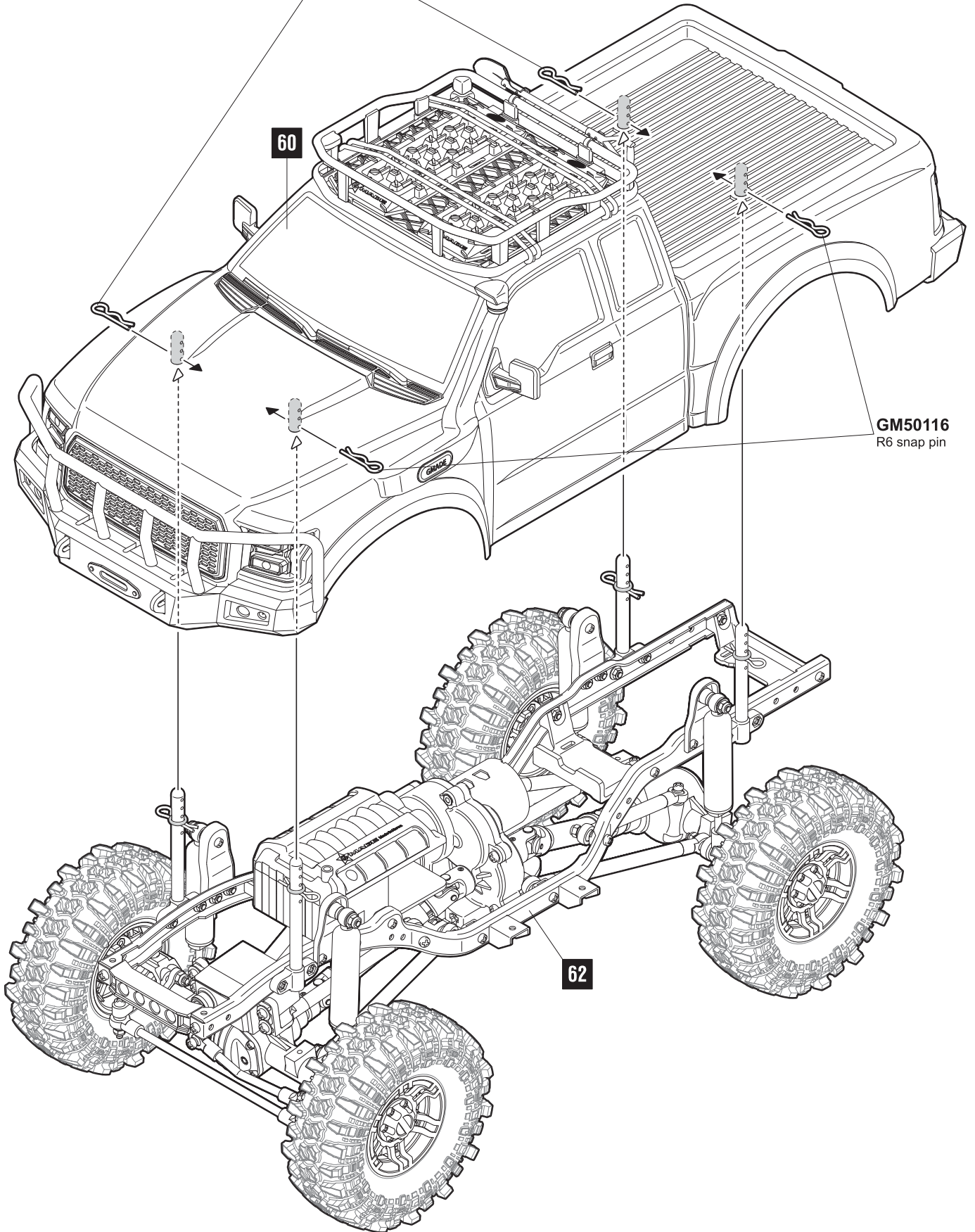
x4

GM50116  
R6 snap pin

60

GM50116  
R6 snap pin

62







## PARTS REFERENCE

### GM20604

GM20611	G-Transition 90mm shock body
GM20221	Shock bushing M3 6.8mm rod end Shock end ball
GM20220	Shock oil
GM51512	Shock grease
GM20613	30mm Shock spring 13mm Shock spring
GM20214	Shock cartridge parts tree Shock piston parts tree
GM20612	G-Transition 90mm shock shaft 2.5mm E-ring P3 O-ring

### GM40080

	Scale accessory roof rack 3*8mm Round head tapping screw 3*6mm Round head tapping screw 3mm Washer P5 O-ring
GM49077	S75 O-ring
GM49078	2mm Rubber rope
GM49080	3*8*2mm Rubber washer

### GM49063

	Komodo exterior detail parts tree 3*6mm Round head tapping screw 2*6mm Round head tapping screw P4 O-ring P5 O-ring Komodo masking tape Double-sided tape
GM49006	R5 Snap pin
GM50116	R6 Snap pin

### GM49064

	Komodo bumper parts tree 3*6mm Round head tapping screw 3*10mm Round head screw M3 Nylon lock nut
--	------------------------------------------------------------------------------------------------------------

### GM51200

GM51201	Transmission housing set Motor plate Pinion gear cap
GM51204	39T/15T Counter gear 35T/15T Counter gear 37T Counter gear
GM51207	21mm Counter gear shaft 23mm Counter gear shaft 43mm Counter gear shaft
GM20142	32Pitch 12T Pinion gear
GM51208	3*8mm Round head screw 3*10mm Round head screw 3*12mm Round head screw 3*16mm Round head screw 3*20mm Round head screw 3*4mm Socket set screw M3 nut 3mm Washer

### GM54100

GM52101	GS01 Axle housing
GM52102	GS01 Axle parts tree
GM51105	Knuckle arm
GM52103	GS01 Differential cover
GM52106	32T Bevel gear 14T Bevel gear
GM52109	69mm Drive shaft 64mm Drive shaft
GM54104	102mm Straight drive shaft 98mm Straight drive shaft
GM54101	GS01 Long wheel axle shaft
GM52113	14T Bevel gear shaft
GM52116	116mm Threaded shaft 64mm Steering rod 6.8mm Rod end ball M3 6.8mm Rod end
GM52117	2.6*6mm Round head screw 3*10mm Round head screw 3*12mm Round head screw 3*16mm Round head screw 3*20mm Round head screw 3*25mm Round head screw 3*30mm Round head screw 2.5mm E-ring 4mm E-ring 3mm Washer M3 Nut M3 Nylon lock nut
GM51120	3*10mm Step screw
GM52119	Ball bearing 1150 Ball bearing 850
GM51603	Axle pin
GM51602	M4 Wheel nut
GM51504	Gear grease
GM51513	1.5mm L-wrench
GM51515	Box wrench

### GM54300

GM54307	Upper link M3*6.8*54mm
GM54308	Lower link M3*6.8*78mm
GM54311	Universal shaft set Universal drive hub
GM20216	M3 6.8mm Rod end 6.8mm Rod end ball
GM54305	Universal joint Universal drive coupler Universal cross pin 2mm E-ring
GM54306	3*20mm Round head screw 3*25mm Round head screw 3*30mm Round head screw M3 Nylon lock nut 3mm Washer 3*15mm Socket set screw
GM51306	3*15mm Screw pin

### GM54400

GM52403	GS01 Frame side rail R GS01 Frame side rail L
GM52404	Shock stay
GM52405	Side step bracket
GM52407	GS01 Cross member parts tree
GM50130	25cm Releasable tie
GM52409	3*8mm Round head tapping screw 3*10mm Flat head screw 3*8mm Round head screw 3*10mm Round head screw 3*18mm Round head screw 3*20mm Round head screw 3mm Washer M3 Flange nut M3 Nylon lock nut

### GM70264

	NR02 Front half of wheel NR02 Inner beadlock ring NR02 Back half of wheel NR02 Wheel cap 2.6*6mm Round head screw 2.6*16mm Round head screw M2.6 nut
--	------------------------------------------------------------------------------------------------------------------------------------------------------------------------

GM40070	Komodo lexan body
GM70284	MT1903 Tire
GM49062	Komodo decal
GM49081	Komodo manual

